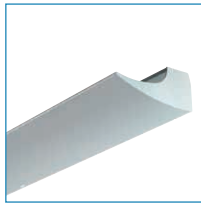




Ceiling and suspended luminaires



Beghelli



Tilia 02-01 12



Orion 03-01 14



Mira 04-01 17



Sirius 05-00 18



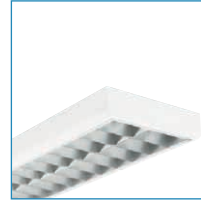
Sirius 05-01 19



Cubus 07-04 21



Canes 09-01 22



Gemma 11-01 24



Gemini 12-01 29



Pavo 13-01 32



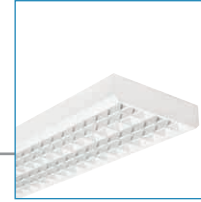
Avior 15-01 36



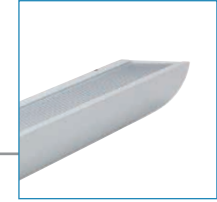
Avior 15-04 39



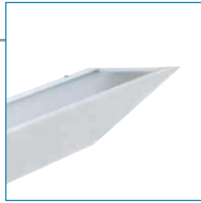
Avior 15-05 40



Taurus 17-01 41



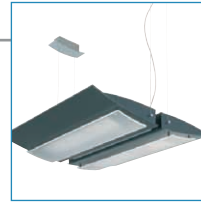
Vela 18-01 42



Vela 18-03 43



Scarab 19-01 44



Scarab 19-03 44



Arietis 36-06 45



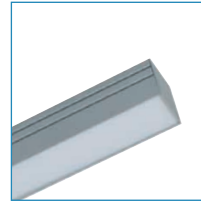
Arietis 36-07 46



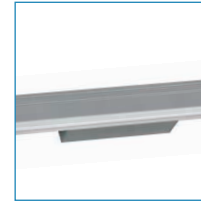
Stratus 81-03 47



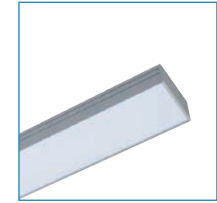
Stratus 81-91 48



Sagita 89-00 49



Sagita 89-01 50



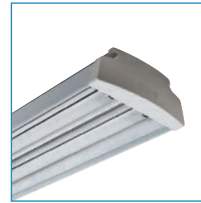
Pictor 67-00 51



Paleo 76-01 52



Paleo 76-05 53

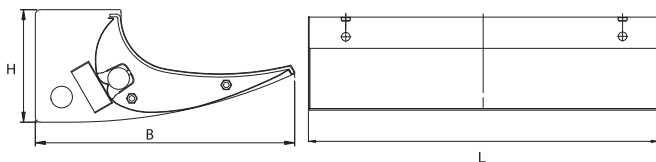
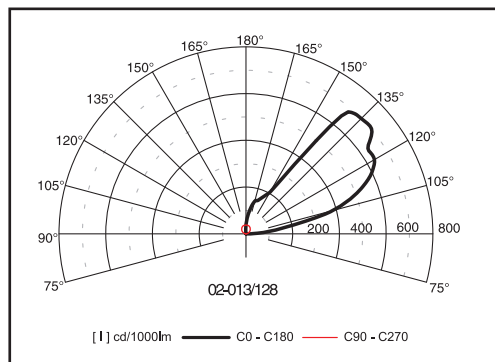


BS1000 salvaspazio 54



Topaz 54-00, 54-01 56

tilia | 02-01, 02-02



Code	Power	Lamp	Cap	LxBxH (mm)	Kg
02-013/114/C	1x14W	T5 lamp	G5	573x193x85	3,1
02-013/128/C	1x28W	T5 lamp	G5	1173x193x85	3,6
02-013/135/C	1x35W	T5 lamp	G5	1473x193x85	3,8
02-023/114/C	1x14W	T5 lamp	G5	573x193x85	3,1
02-023/128/C	1x28W	T5 lamp	G5	1173x193x85	3,6
02-023/135/C	1x35W	T5 lamp	G5	1473x193x85	3,8

Luminaires with 24W, 49W, 54W or 80W T5 lamps by request.

Wall and suspended luminaires – indirect



Material

- body: a steel sheet finished by powder technology varnishing
- color: white RAL 9003
- reflector: highly polished aluminium reflector
- diffuser: clear PMMA

Degree of protection: IP 20

Rated voltage: 230V/50Hz

Control gear: electronic ballast

Mounting: on wall brackets or on tube pendants

02-01 – separately (the endings are supplied with luminaire)

02-02 – fit to in-line coupling

Accessories: (must be ordered separately)

endings: 99-135 ending and holder of pendant (02-02)

prismatic cover: 14W - 99-275, 28W - 99-276, 35W - 99-277

Brackets:

W	length (mm)	wall bracket	back cover
14	600	99-551	99-554
28	1200	99-552	99-555
35	1500	99-553	99-556

Tube pendants:

length (mm)	without a cable	with a cable 3x1,5 mm ²	with a cable 5x1,5 mm ²
400	99-047/040	99-048/040	99-049/040
600	99-047/060	99-048/060	99-049/060

Application: decorative illumination of offices, restaurants, hotels

Suspended luminaires – indirect



Detail of the luminaire with prismatic cover



Material

- body: a steel sheet finished by powder technology varnishing
- color: white RAL 9003
- reflector: highly polished aluminium reflector
- diffuser: clear PMMA

Degree of protection: IP 20

Rated voltage: 230V/50Hz

Control gear: electronic ballast

Mounting: on wire or tube pendants

02-03 – separately (the endings are supplied with luminaire)

02-04 – fit to in-line coupling

Accessories: (must be ordered separately)

endings: 99-136 ending and holder of pendant - one piece (02-04)

prismatic cover (1 pc): 14W - 99-275, 28W - 99-276, 35W - 99-277.

Two pieces for luminaire needed.

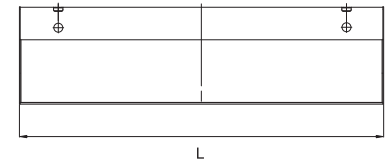
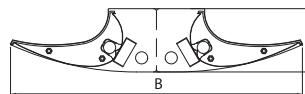
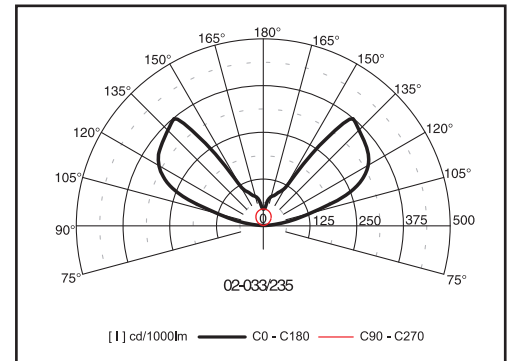
Wire pendants:

length (mm)	without a cable	with a cable 3x1,5 mm ²	with a cable 5x1,5 mm ²
600	99-077/060	99-078/060	99-079/060

Tube pendants:

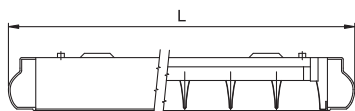
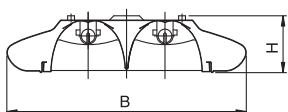
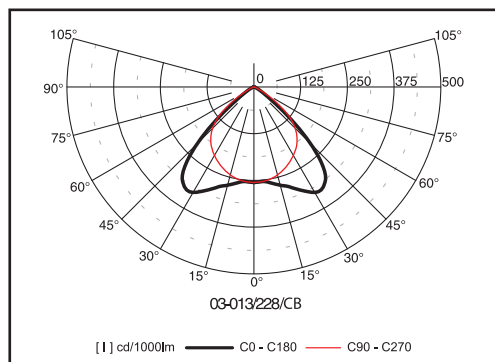
length (mm)	without a cable	with a cable 3x1,5 mm ²	with a cable 5x1,5 mm ²
400	99-047/040	99-048/040	99-049/040
600	99-047/060	99-048/060	99-049/060

Application: decorative illumination of offices, restaurants, hotels

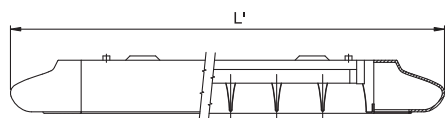


Code	Power	Lamp	Cap	LxBxH (mm)	Kg
02-033/214/C	2x14W	T5 lamp	G5	573x385x85	6,8
02-033/228/C	2x28W	T5 lamp	G5	1173x385x85	7,2
02-033/235/C	2x35W	T5 lamp	G5	1473x385x85	7,6
02-043/214/C	2x14W	T5 lamp	G5	573x385x85	6,8
02-043/228/C	2x28W	T5 lamp	G5	1173x385x85	7,2
02-043/235/C	2x35W	T5 lamp	G5	1473x385x85	7,6

Luminaires with 24W, 49W, 54W or 80W T5 lamps by request.



L - length with flat endings



L' - length with rounded endings

Material:

- body: steel sheet finished by powder technology varnishing
- color: white RAL 9003
- louvre: highly polished or matted louvre made of pure aluminium (luminaires with T5 lamps have the louvre made of MIRO aluminium), polished or matted christmas tree louvre

Degree of protection: IP 20

Rated voltage: 230V/50Hz

Control gear: low loss ballast or electronic ballast, dimmable ballast by request, the luminaires are offered also in emergency version

Mounting: separate mounting on a ceiling or on wire pendants

Accessories: (must be ordered separately)

99-087/120 - wire pendant without power cable (120 cm)

99-088/120 - wire pendant with 3x1,5 mm² power cable (120 cm)

99-089/120 - wire pendant with 5x1,5 mm² power cable (120 cm)

Application: reception desk, corridors, shops, restaurants, offices, computer labs

Code	Power	Louvre	Lamp	Cap	L/L'xBxH (mm)	Kg
03-013/218/ ¹ ₂ + ⁴	2x18W	B, C, D, J	T8 lamp	G13	704/794x280x66	4,5
03-013/236/ ¹ ₂ + ⁴	2x36W	B, C, D, J	T8 lamp	G13	1314/1404x280x66	8,4
03-013/258/ ¹ ₂ + ⁴	2x58W	B, C, D, J	T8 lamp	G13	1614/1704x280x66	10,3
03-013/214/C ² + ¹	2x14W	B, C	T5 lamp	G5	664/754x280x66	4,3
03-013/228/C ² + ⁴	2x28W	B, C	T5 lamp	G5	1268/1358x280x66	8,0
03-013/235/C ² + ⁴	2x35W	B, C	T5 lamp	G5	1564/1654x280x66	10,0

Luminaires with 24W, 49W, 54W or 80W T5 lamps by request.

¹ - E (low loss ballast - parallel compensation)

- C (electronic ballast)

² - B (highly polished parabolic louvre 60°)

- C (matted parabolic louvre 60°)

- D (polished christmas tree louvre - for T8 lamps only)

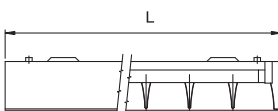
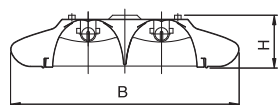
- J (matted christmas tree louvre - for T8 lamps only)

⁴ - 1 (flat endings) - 2 (round endings)

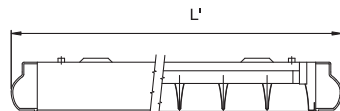


Accessories: (must be ordered separately)

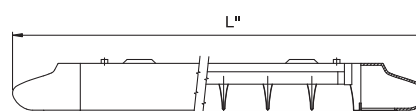
- flat ending 99-130 (1 pc)
- round ending 99-131 (1 pc)
- pendants 99-087/120 (120 cm) without a power supply cable
- 99-088/120 (120 cm) with a power supply cable 3x0,75 mm²
- 99-089/120 (120 cm) with a power supply cable 5x1,5 mm²



L - length without endings



L' - length with flat endings



L'' - length with rounded endings

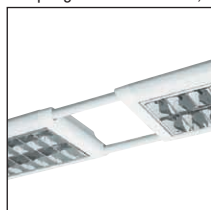
Code	Power	Louvre	Lamp	Cap	L	L'	L''	B	H	Kg
03-023/218/ ¹ / ₂	2x18W	B, C, D, J	T8 lamp	G13	630	704	794	280	66	4,3
03-023/236/ ¹ / ₂	2x36W	B, C, D, J	T8 lamp	G13	1240	1314	1404	280	66	8,1
03-023/258/ ¹ / ₂	2x58W	B, C, D, J	T8 lamp	G13	1540	1614	1704	280	66	10,1
03-023/214/C ₂	2x14W	B, C	T5 lamp	G5	590	664	754	280	66	4,2
03-023/228/C ₂	2x28W	B, C	T5 lamp	G5	1194	1268	1358	280	66	7,9
03-023/235/C ₂	2x35W	B, C	T5 lamp	G5	1490	1564	1654	280	66	9,9

Luminaires with 24W, 49W, 54W or 80W T5 lamps by request.

¹ - E (low loss ballast) - C (electronic ballast)

₂ - B (highly polished parabolic louvre, 60°) - D (polished Christmas tree louvre - for T8 lamps only)
 - C (matted parabolic louvre, 60°) - J (matted Christmas tree louvre - for T8 lamps only)

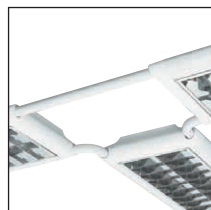
Couplings of series 03-02, 03-03



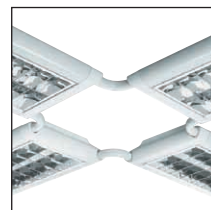
99-490



99-491



99-492

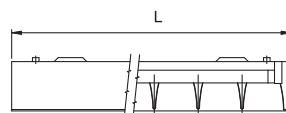
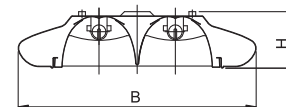
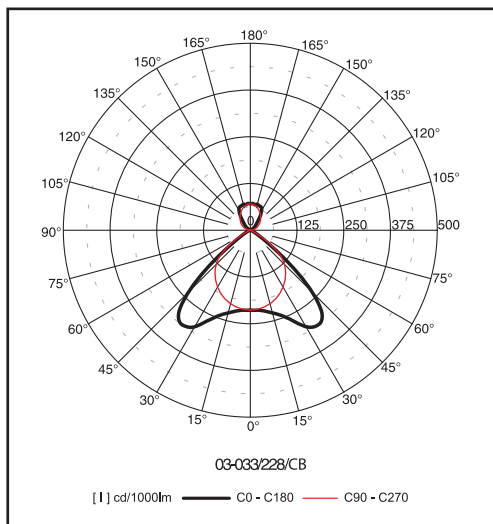
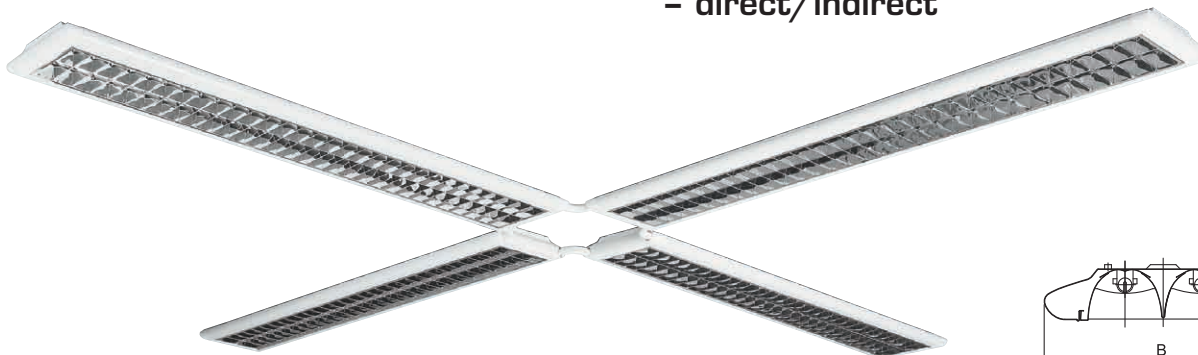


99-493

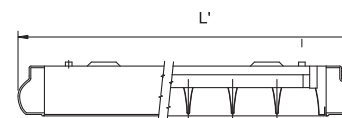


99-494

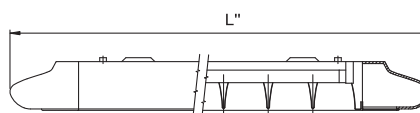
Suspended lighting systems - direct/indirect



L - length without endings



L' - length with flat endings



L'' - length with rounded endings

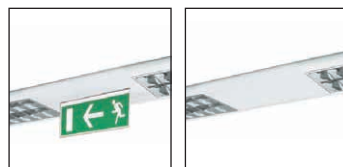
Accessories: (must be ordered separately)

- flat ending 99-130 (1 pc)
- round ending 99-131 (1 pc)
- pendants
- 99-087/120 (120 cm) without a power supply cable
- 99-088/120 (120 cm) with a power supply cable 3x0,75 mm²
- 99-089/120 (120 cm) with a power supply cable 5x1,5 mm²

Interconnecting modules

Code	Description	LxBxH	Kg
03-000/218	Plain module	630x280x66	3,3
03-000/236	Plain module	1240x280x66	6,9
03-000/258	Plain module	1540x280x66	8,9
03-100/218	Sign module	630x280x66	3,3
03-003/218	Luminous sign module	630x280x66	3,3
03-103/218	Lumin. emerg. mod. with an inverter	630x280x66	3,5

If requested, plain modules with emergency version



Emergency module

Plain module

Code	Power	Louvre	Lamp	Cap	L	L'	L''	B	H	Kg
03-033/218/ <u>1</u> <u>2</u>	2x18W	B, C, D, J	T8 lamp	G13	630	704	794	280	66	4,3
03-033/236/ <u>1</u> <u>2</u>	2x36W	B, C, D, J	T8 lamp	G13	1240	1314	1404	280	66	8,1
03-033/258/ <u>1</u> <u>2</u>	2x58W	B, C, D, J	T8 lamp	G13	1540	1614	1704	280	66	10,1
03-033/214/ <u>C</u> <u>2</u>	2x14W	B, C	T5 lamp	G5	590	664	754	280	66	4,2
03-033/228/ <u>C</u> <u>2</u>	2x28W	B, C	T5 lamp	G5	1194	1268	1358	280	66	7,9
03-033/235/ <u>C</u> <u>2</u>	2x35W	B, C	T5 lamp	G5	1490	1564	1654	280	66	9,9

Luminaires with 24W, 49W, 54W or 80W T5 lamps by request.

1 - E (low loss ballast) - C (electronic ballast)

2 - B (highly polished parabolic louvre, 60°)

- C (matted parabolic louvre, 60°)

- D (polished Christmas tree louvre - for T8 lamps only)

- J (matted Christmas tree louvre - for T8 lamps only)

Suspended luminaires with fluorescent lamps



Material:

- body: a steel sheet finished by powder technology varnishing
- color: dark grey RAL 7016
- louvre: highly polished or matted parabolic louvre made of a MIRO pure aluminium sheet
- covers: - opaline
- perforated

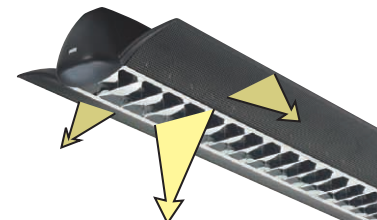
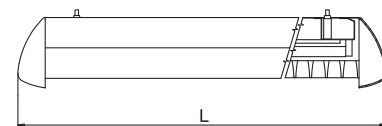
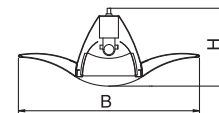
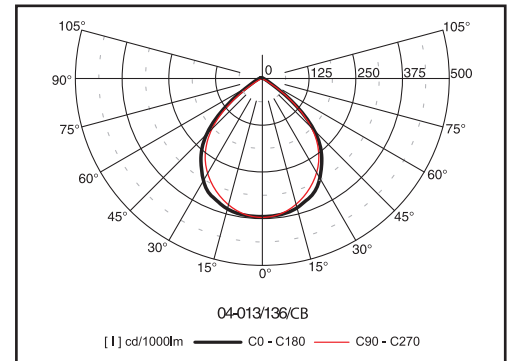
Degree of protection: IP 20

Rated voltage: 230V/50Hz

Control gear: low loss ballast and electronic ballast, dimmable ballast by request with lamps over 28W

Mounting: wire pendant (120 cm) is component of the luminaire

Application: reception desks, corridors, shops and boutiques, restaurants, counters, computer labs, representative office, public areas

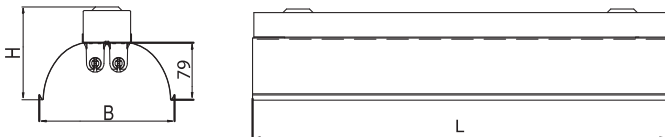
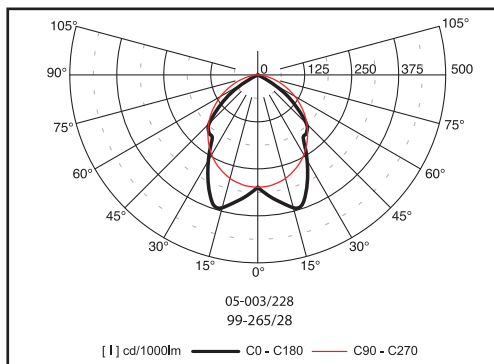


Code	Power	Louvre	Lamp	Cap	LxBxH (mm)	Kg
04-013/118/1 2	1x18W	B, C, P, Z	T8 lamp	G13	724x287x123	4,0
04-013/136/1 2	1x36W	B, C, P, Z	T8 lamp	G13	1334x287x123	7,5
04-013/158/1 2	1x58W	B, C, P, Z	T8 lamp	G13	1634x287x123	9,1
04-013/114/C 2	1x14W	B, C, P, Z	T5 lamp	G5	684x287x123	3,8
04-013/128/C 2	1x28W	B, C, P, Z	T5 lamp	G5	1288x287x123	7,2
04-013/135/C 2	1x35W	B, C, P, Z	T5 lamp	G5	1584x287x123	8,9

Luminaires with 24W, 49W, 54W or 80W T5 lamps by request.

- 1 - E (low loss ballast)
- C (electronic ballast)
- 2 - B (highly polished parabolic louvre)
- C (matted parabolic louvre)
- P (perforated cover)
- Z (opaline cover)

sirius | 05-00

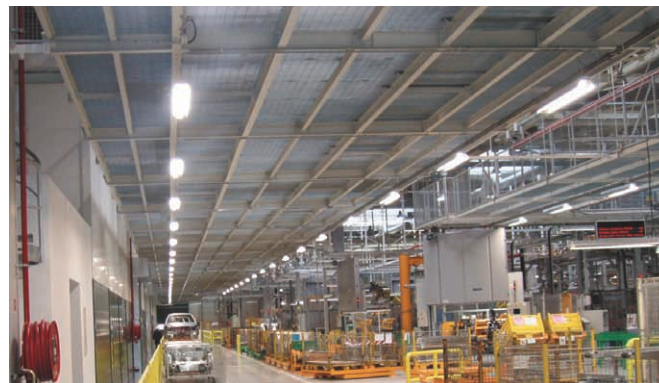


Code	Power	Lamp	Cap	LxBxH (mm)	Kg
05-003/136/□	1x36W	T8 lamp	G13	1265x188x124	3,3
05-003/158/□	1x58W	T8 lamp	G13	1565x188x124	4,3
05-003/236/□	2x36W	T8 lamp	G13	1265x188x124	3,8
05-003/258/□	2x58W	T8 lamp	G13	1565x188x124	4,8
05-003/128/C	1x28W	T5 lamp	G5	1215x188x124	3,3
05-003/135/C	1x35W	T5 lamp	G5	1515x188x124	4,2
05-003/228/C	2x28W	T5 lamp	G5	1215x188x124	3,8
05-003/235/C	2x35W	T5 lamp	G5	1515x188x124	4,7

Luminaires with 49W, 54W or 80W T5 lamps by request.

□ - E (low loss ballast, parallel compensation) - C (electronic ballast)

Ceiling and suspended luminaires with fluorescent lamps – separate



Material:

- body: steel sheet finished by powder technology varnishing
- color: grey RAL 9006
- reflector: white steel reflector, aluminium polished and faceted reflector, narrowbeam

Degree of protection: IP 20

Rated voltage: 230V/50Hz

Control gear: low loss ballast and electronic ballast, dimmable ballast by request; the luminaires are offered also in emergency version

Mounting: on a ceiling or on wire pendants

Accessories: (must be ordered separately)

wire pendant 99-096/120 – a set

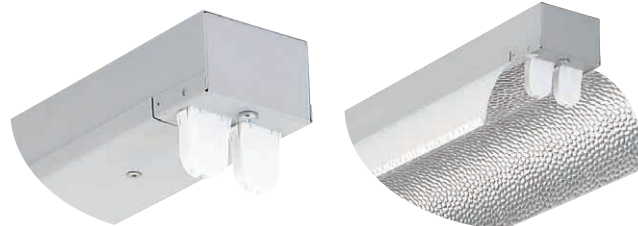
reflectors

Application: halls, warehouses, shopping areas

Available reflectors

(for one and two lamp luminaires)

Luminaire	white steel	polished Al	faceted Al
28W	99-264/28	99-265/28	99-267/28
35W	99-264/35	99-265/35	99-267/35
36W	99-264/36	99-265/36	99-267/36
58W	99-264/58	99-265/58	99-267/58



Ceiling and suspended luminaires with fluorescent lamps



Material:

- body: a steel sheet finished by powder technology varnishing
- color: grey RAL 9006
- louvre: highly polished or matted parabolic louvre made of a pure aluminium sheet

Degree of protection: IP 20

Rated voltage: 230V/50Hz

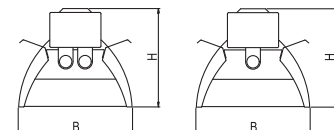
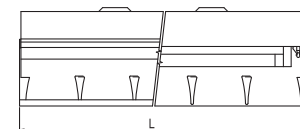
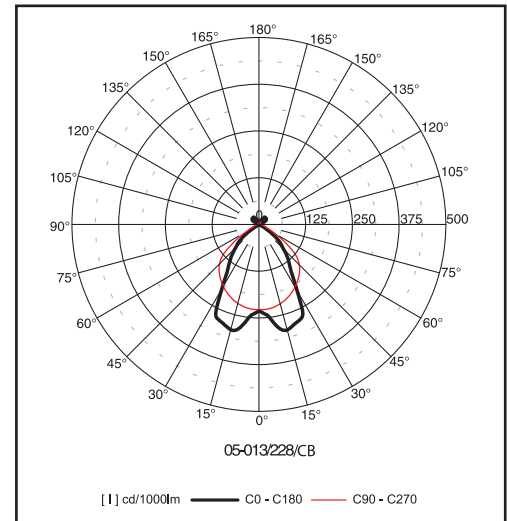
Control gear: low loss ballast and electronic ballast, dimmable ballast by request; the luminaires are offered also in emergency version

Mounting: on a ceiling or on wire pendants

Accessories: (must be ordered separately)

wire pendant 99-096/120 - a set

Application: reception desks, corridors, shops and boutiques, restaurants, counters, computer labs, representative office, public areas

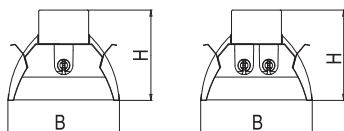
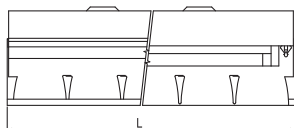
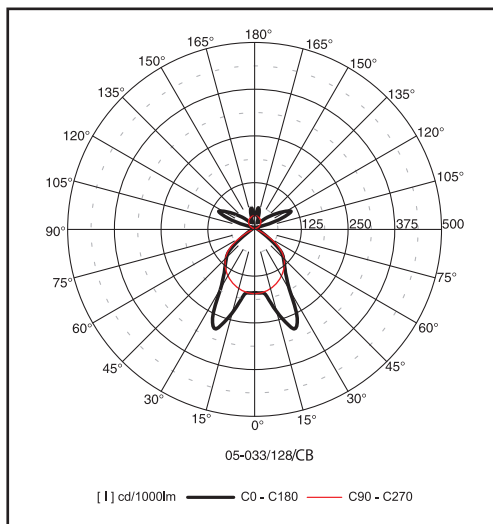


Code	Power	Louvre	Lamp	Cap	LxBxH (mm)	Kg
05-013/136/1 2	1x36W	B, C	T8 lamp	G13	1265x147x127	3,3
05-013/158/1 2	1x58W	B, C	T8 lamp	G13	1565x147x127	4,3
05-013/236/1 2	2x36W	B, C	T8 lamp	G13	1265x147x127	3,8
05-013/258/1 2	2x58W	B, C	T8 lamp	G13	1565x147x127	4,8
05-013/128/C 2	1x28W	B, C	T5 lamp	G5	1215x147x127	3,3
05-013/135/C 2	1x35W	B, C	T5 lamp	G5	1515x147x127	4,2
05-013/228/C 2	2x28W	B, C	T5 lamp	G5	1215x147x127	3,8
05-013/235/C 2	2x35W	B, C	T5 lamp	G5	1515x147x127	4,7

Luminaires with 49W, 54W or 80W T5 lamps by request.

1 - E (low loss ballast), - C (electronic ballast)

2 - B (highly polished parabolic louvre, 60°), - C (matted parabolic louvre, 60°)



Ceiling and suspended luminaires with fluorescent lamps - direct/indirect



Material:

- body: a steel sheet finished by powder technology varnishing
- color: grey RAL 9006
- louvre: highly polished or matted parabolic louvre made of a pure aluminium sheet

Degree of protection: IP 20

Rated voltage: 230V/50Hz

Control gear: electronic ballast, dimmable ballast by request; the luminaires are offered also in emergency version

Mounting: on a ceiling or on wire pendants

Accessories: (must be ordered separately)

wire pendant 99-096/120 - a set

Application: reception desks, corridors, shops and boutiques, restaurants, counters, computer labs, representative office, public areas

Code	Power	Louvre	Lamp	Cap	LxBxH (mm)	Kg
05-033/128/C ²	1x28W	B, C	T5 lamp	G5	1215x147x127	3,3
05-033/135/C ²	1x35W	B, C	T5 lamp	G5	1515x147x127	4,2
05-033/228/C ²	2x28W	B, C	T5 lamp	G5	1215x147x127	3,8
05-033/235/C ²	2x35W	B, C	T5 lamp	G5	1515x147x127	4,7

Luminaires with 49W, 54W or 80W T5 lamps by request.

² - B (highly polished parabolic louvre, 60°)

- C (matted parabolic louvre, 60°)

Suspended luminaires - T5 fluorescent lamps

07-05 | cubus



Material:

- body: a steel sheet finishing by powder technology varnishing
- color: grey RAL 9006
- louvre: highly polished parabolic louvre or matted parabolic louvre

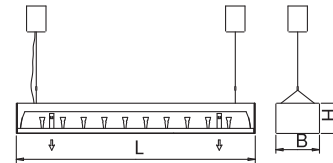
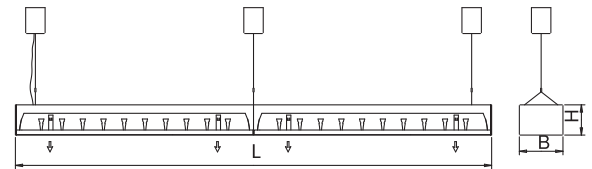
Degree of protection: IP 20

Rated voltage: 230V/50Hz

Control gear: electronic ballast

Mounting: suspended mounting (wire pendants are supplied with luminaire)

Application: offices, banks, shops

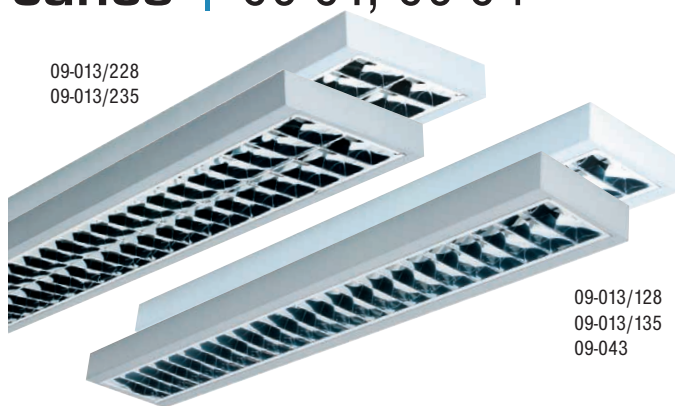


Code	Power	Lamp	Cap	LxBxH (mm)	Kg
07-053/128/C ²	1x28W	T5 lamp	G5	1180x94x70	4,5
07-053/135/C ²	1x35W	T5 lamp	G5	1480x94x70	5,0
07-053/149/C ²	1x49W	T5 lamp	G5	1480x94x70	5,1
07-053/154/C ²	1x54W	T5 lamp	G5	1180x94x70	4,6
07-053/180/C ²	1x80W	T5 lamp	G5	1480x94x70	5,0
07-053/228/C ²	2x28W	T5 lamp	G5	2360x94x70	9,0
07-053/235/C ²	2x35W	T5 lamp	G5	2960x94x70	10,0
07-053/249/C ²	2x49W	T5 lamp	G5	2960x94x70	10,2
07-053/254/C ²	2x54W	T5 lamp	G5	2360x94x70	9,2
07-053/280/C ²	2x80W	T5 lamp	G5	2960x94x70	10,0

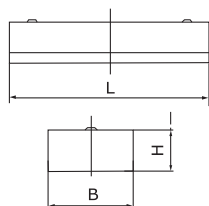
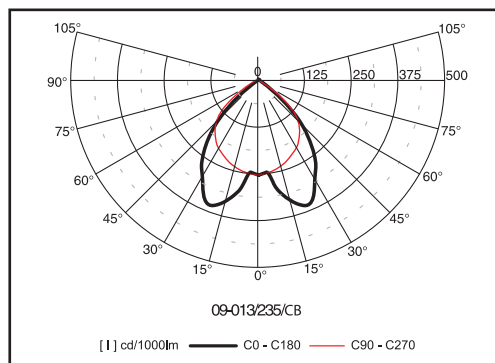
² - B (highly polished parabolic louvre, 60°)
 - C (matted parabolic louvre, 60°)

canes | 09-01, 09-04

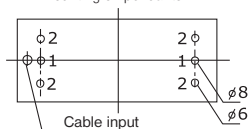
09-013/228
09-013/235



09-013/128
09-013/135
09-043



Mounting holes:
1 - ceiling mounting
2 - mounting on pendants



Code	Power	Louvre	Lamp	Cap	LxBxH (mm)	Kg
09-013/128/C	1x28W	B,C,D,J	T5 lamp	G5	1193x195x60	3,5
09-013/135/C	1x35W	B,C,D,J	T5 lamp	G5	1493x195x60	4,2
09-013/228/C	2x28W	B,C,D,J	T5 lamp	G5	1193x266x60	4,3
09-013/235/C	2x35W	B,C,D,J	T5 lamp	G5	1493x266x60	5,5
09-043/228/C	2x28W	B,C,D,J	T5 lamp	G5	1193x195x60	3,7
09-043/235/C	2x35W	B,C,D,J	T5 lamp	G5	1493x195x60	4,4

Luminaires with 49W, 54W or 80W T5 lamps by request.

- B (highly polished parabolic louvre, 60°)
- C (matted parabolic louvre, 60°)
- D (polished christmas tree louvre) - J (matted christmas tree louvre)

Ceiling and suspended luminaires - T5 fluorescent lamps - direct



Material:

- body: steel sheet finished by powder technology varnishing
- color: white RAL 9003
- louvre: highly polished or matted parabolic louvre-Miro, polished or matted Christmas tree louvre

Degree of protection: IP 20

Rated voltage: 230V/50Hz

Control gear: electronic ballast, dimmable ballast by request; the luminaires are offered also in emergency version

Mounting: separate mounting on a ceiling or pendants

Accessories: wire and tube pendants (must be ordered separately)

Application: offices, corridors and stairways, shops, lecture halls

Pendants for one lamp luminaires 09-01 and two lamp luminaires 09-04

length (mm)	without a cable	with a cable 3x1,5mm ²
1200 (wires)	99-080/120	99-081/120
400 (tubes)	99-090/040	99-091/040
600 (tubes)	99-090/060	99-091/060
900 (tubes)	99-090/090	99-091/090
1200 (tubes)	99-090/120	99-091/120

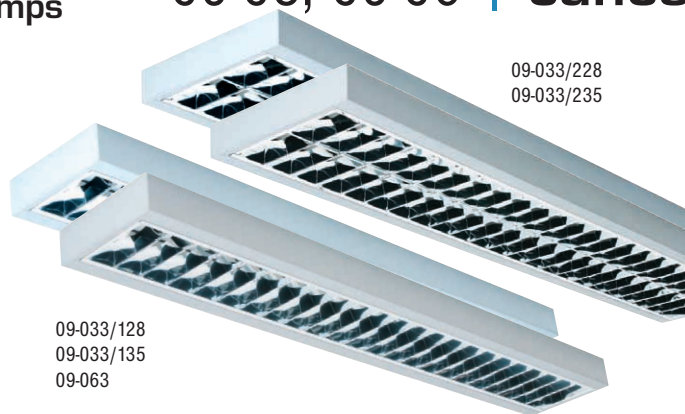
Pendants for two lamp luminaires 09-01

length (mm)	without a cable	with a cable 3x1,5mm ²
1200 (wires)	99-083/120	99-084/120
400 (tubes)	99-093/040	99-094/040
600 (tubes)	99-093/060	99-094/060
900 (tubes)	99-093/090	99-094/090
1200 (tubes)	99-093/120	99-094/120

Suspended luminaires - T5 fluorescent lamps - direct/indirect



09-03, 09-06 | canes



09-033/228
09-033/235

09-033/128
09-033/135
09-063



Material:

- body: a steel sheet finished by powder technology varnishing
- color: white RAL 9003
- louvre: highly polished or matted parabolic louvre - Miro, polished or matted christmas tree louvre

Degree of protection: IP 20

Rated voltage: 230V/50Hz

Control gear: electronic ballast, dimmable ballast by request; the luminaires are offered also in emergency version

Mounting: separate mounting on pendants

Accessories: wire and tube pendants (must be ordered separately)

Application: office, corridors and stairways, shops, lecture halls

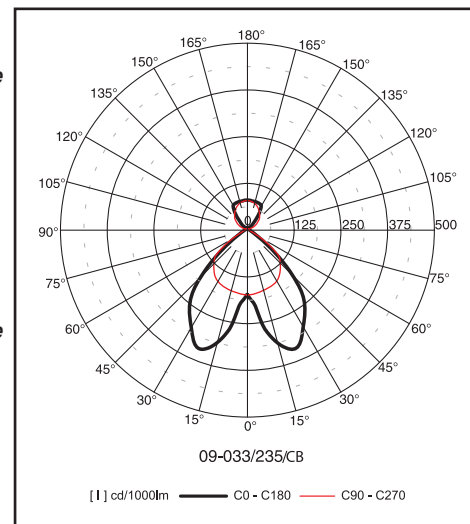
pendants for one lamp luminaires 09-03

and two lamp luminaires 09-06

length (mm)	without a cable	with a cable 3x1,5mm ²
1200 (wires)	99-080/120	99-081/120
400 (tubes)	99-090/040	99-091/040
600 (tubes)	99-090/060	99-091/060
900 (tubes)	99-090/090	99-091/090
1200 (tubes)	99-090/120	99-091/120

pendants for two lamp luminaires 09-03

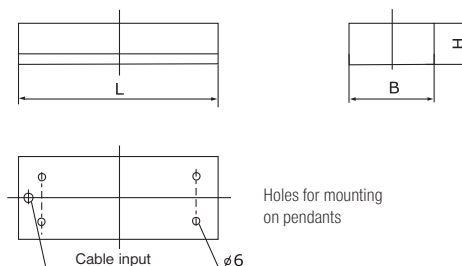
length (mm)	without a cable	with a cable 3x1,5mm ²
1200 (wires)	99-083/120	99-084/120
400 (tubes)	99-093/040	99-094/040
600 (tubes)	99-093/060	99-094/060
900 (tubes)	99-093/090	99-094/090
1200 (tubes)	99-093/120	99-094/120

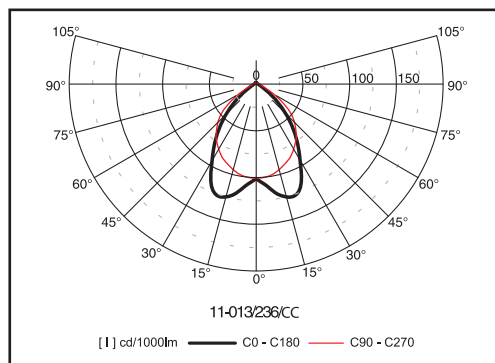


Code	Power	Louvre	Lamp	Cap	LxBxH (mm)	Kg
09-033/128/C 2	1x28W	B,C,D,J	T5 lamp	G5	1193x195x60	3,3
09-033/135/C 2	1x35W	B,C,D,J	T5 lamp	G5	1493x195x60	3,9
09-033/228/C 2	2x28W	B,C,D,J	T5 lamp	G5	1193x266x60	3,9
09-033/235/C 2	2x35W	B,C,D,J	T5 lamp	G5	1493x266x60	5,5
09-063/228/C 2	2x28W	B,C,D,J	T5 lamp	G5	1193x195x60	3,7
09-063/235/C 2	2x35W	B,C,D,J	T5 lamp	G5	1493x195x60	4,4

Luminaires with 24W, 49W, 54W or 80W T5 lamps by request.

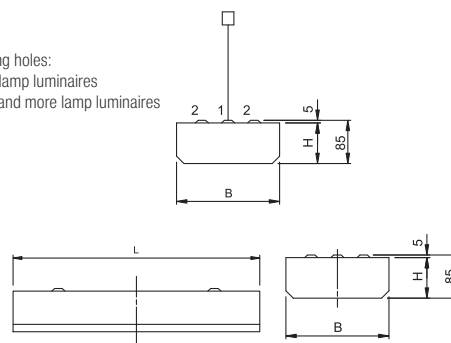
- 2 - B (highly polished parabolic louvre, 60°)
- C (matted parabolic louvre, 60°)
- D (polished Christmas tree louvre)
- J (matted Christmas tree louvre)





Ceiling and suspended luminaires - separate

Mounting holes:
1 - one lamp luminaires
2 - two and more lamp luminaires



Material:

- body: a steel sheet finished by powder technology varnishing
- color: white RAL 9003
- louvre: highly polished or matted double parabolic louvre made of aluminium sheet; polished or matted christmas tree louvre; white louvre
- cover: prismatic or opaline

Degree of protection: IP 20

Rated voltage: 230V/50Hz

Control gear: low loss ballast or electronic ballast, dimmable ballast on request; the luminaires are offered also in emergency version

Mounting: separate mounting on a ceiling; on wire and tube pendants

Accessories: wire and tube pendants (must be ordered separately)

Application: reception desks, corridors, shops, counters

pendants for one lamp luminaires

length(mm)	without a cable	with a cable 3x1,5mm ²	with a cable 5x1,5mm ²
1200 (wires)	99-080/120	99-081/120	99-082/120
400 (tubes)	99-090/040	99-091/040	99-092/040
600 (tubes)	99-090/060	99-091/060	99-092/060
900 (tubes)	99-090/090	99-091/090	99-092/090
1200 (tubes)	99-090/120	99-091/120	99-092/120

pendants for two lamp luminaires

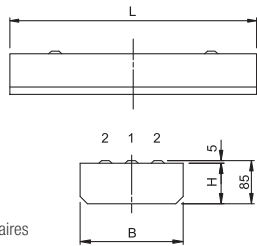
length(mm)	without a cable	with a cable 3x1,5mm ²	with a cable 5x1,5mm ²
1200 (wires)	99-083/120	99-084/120	99-085/120
400 (tubes)	99-093/040	99-094/040	99-095/040
600 (tubes)	99-093/060	99-094/060	99-095/060
900 (tubes)	99-093/090	99-094/090	99-095/090
1200 (tubes)	99-093/120	99-094/120	99-095/120

Code	Power	Louvre	Lamp	Cap	LxBxH (mm)	Kg
11-013/118/ [1][2]	1x18W	A,B,C,D,J,X,Z	T8 lamp	G13	638x207x80	2,7
11-013/136/ [1][2]	1x36W	A,B,C,D,J,X,Z	T8 lamp	G13	1248x207x80	4,5
11-013/158/ [1][2]	1x58W	A,B,C,D,J,X,Z	T8 lamp	G13	1548x207x80	5,4
11-013/218/ [1][2]	2x18W	A,B,C,D,J,X,Z	T8 lamp	G13	638x336x80	3,3
11-013/236/ [1][2]	2x36W	A,B,C,D,J,X,Z	T8 lamp	G13	1248x336x80	6,8
11-013/258/ [1][2]	2x58W	A,B,C,D,J,X,Z	T8 lamp	G13	1548x336x80	7,9
11-013/318/ [1][2]	3x18W	A,B,C,D,J,X,Z	T8 lamp	G13	638x490x80	4,9
11-013/336/ [1][2]	3x36W	A,B,C,D,J,X,Z	T8 lamp	G13	1248x490x80	8,0
11-013/358/ [1][2]	3x58W	A,B,C,D,J,X,Z	T8 lamp	G13	1548x490x80	10,1
11-013/418/ [1][2]	4x18W	A,B,C,D,J,X,Z	T8 lamp	G13	638x632x80	5,7
11-013/436/ [1][2]	4x36W	A,B,C,D,J,X,Z	T8 lamp	G13	1248x632x80	10,4
11-013/458/ [1][2]	4x58W	A,B,C,D,J,X,Z	T8 lamp	G13	1548x632x80	13,5

[1] - E (low loss ballast) - C (electronic ballast)

[2] - A (white louvre) - B (highly polished parab. louvre, 60°) - C (matted parabolic louvre, 60°)
- D (polished christmas tree louvre) - J (matted christmas tree louvre) - X (prismatic cover)
- Z (opaline cover)

Ceiling luminaires with compact fl. lamps



Mounting holes:

1 - one lamp luminaires

2 - two and more lamp luminaires

**Material:**

- body: a steel sheet finished by powder technology varnishing
- color: white RAL 9003
- louvre: highly polished or matted double parabolic louvre made of aluminium sheet; polished or matted christmas tree louvre

Degree of protection: IP 20

Rated voltage: 230V/50Hz

Control gear: low loss ballast or electronic ballast, dimmable ballast by request;
the luminaires are offered also in emergency version

Mounting: separate mounting on a ceiling

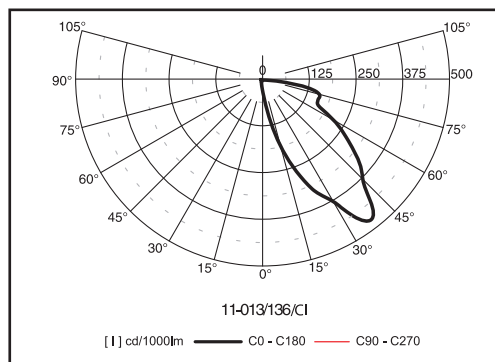
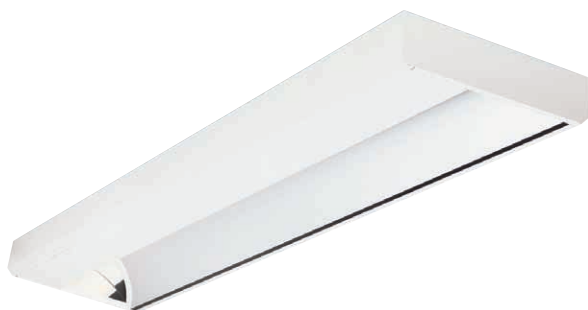
Application: corridors, shops, counters, computer labs, cafeterias

Code	Power	Louvre	Lamp	Cap	LxBxH (mm)	Kg
11-014/236/ ¹ ₂	2x36W	B,C,D,J	compact fl. lamp	2G11	480x336x80	3,0
11-014/255/C ²	2x55W	B,C,D,J	compact fl. lamp	2G11	600x336x80	3,1
11-014/336/ ¹ ₂	3x36W	B,C,D,J	compact fl. lamp	2G11	480x492x80	4,5
11-014/355/C ²	3x55W	B,C,D,J	compact fl. lamp	2G11	600x492x80	4,6

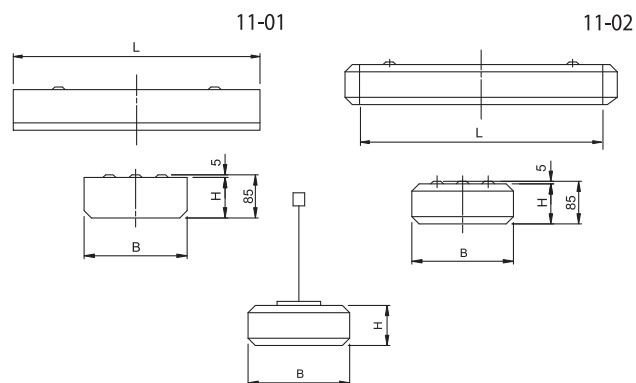
¹ - E (low loss ballast)
- C (electronic ballast)

² - B (highly polished parab. louvre, 60°)
- C (matted parabolic louvre, 60°)
- D (polished christmas tree louvre)
- J (matted christmas tree louvre)

gemma | 11-01, 11-02



Ceiling or suspended luminaires - asymmetric reflector 11-01 separate, 11-02 coupling in lines



Material:

- body: a steel sheet finished by powder technology varnishing
- color: white RAL 9003
- reflector: a polished aluminium sheet (asymmetric profile)

Degree of protection: IP 20

Rated voltage: 230V/50Hz

Control gear: low loss ballast or electronic ballast, dimmable ballast on request; the luminaires are offered also in emergency version

Mounting: separate mounting on a ceiling (series 11-01);

on wire or tube pendants; coupling in lines (series 11-02);

Accessories: wire and tube pendants; plastic endings for coupling luminaires (must be ordered separately)

Application: reception desks, corridors, shops, counters, computer labs

pendants for luminaires

length(mm)	without a cable	with a cable 3x1,5 mm ²	with a cable 5x1,5 mm ²
1200 (wires)	99-083/120	99-084/120	99-085/120
400 (tubes)	99-093/040	99-094/040	99-095/040
600 (tubes)	99-093/060	99-094/060	99-095/060
900 (tubes)	99-093/090	99-094/090	99-095/090
1200 (tubes)	99-093/120	99-094/120	99-095/120

endings for coupling luminaires

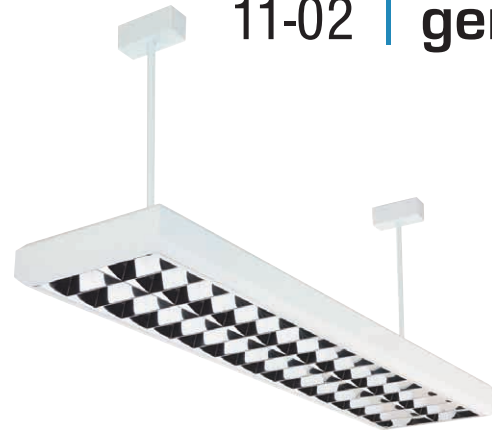
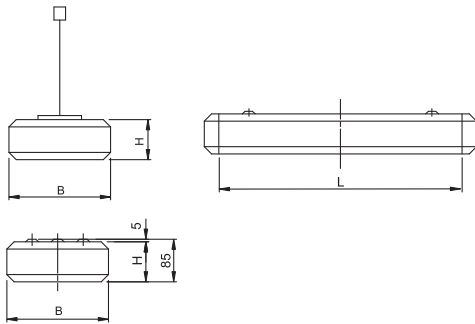
99-104

Code	Power	Lamp	Cap	LxBxH (mm)	Kg
11-013/136/□ I	1x36W	T8 lamp	G13	1248x336x80	4,5
11-013/158/□ I	1x58W	T8 lamp	G13	1548x336x80	5,4
11-023/136/□ I	1x36W	T8 lamp	G13	1240x336x80	4,5
11-023/158/□ I	1x58W	T8 lamp	G13	1540x336x80	5,4

□ - E (low loss ballast) - C (electronic ballast)

Ceiling and suspended luminaires, direct

- coupling in lines
- fit to lighting systems



Material:

- body: a steel sheet finished by powder technology varnishing
- color: white RAL 9003
- louvre: highly polished or matted double parabolic louvre made of aluminium sheet; polished or matted christmas tree louvre; white louvre

Degree of protection: IP 20

Rated voltage: 230V/50Hz

Control gear: low loss ballast or electronic ballast, dimmable ballast by request, the luminaires are offered also in emergency version

Mounting: directly on a ceiling or on pendants - separate, coupling in lines or in lighting systems (see Coupling agents of fluorescent luminaires)

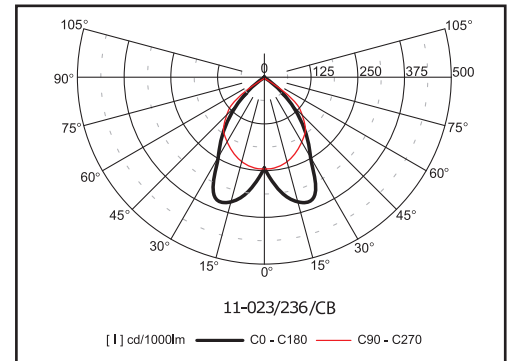
Accessories: plastic endings (must be ordered separately)

99-103 (for one lamp luminaires)

99-104 (for two lamp luminaires)

wire and tube pendants must be ordered separately

Application: reception desks, corridors and stairways, counters, computer labs



pendants for one lamp luminaires

length(mm)	without a cable	with a cable 3x1,5mm ²	with a cable 5x1,5mm ²
1200 (wires)	99-080/120	99-081/120	99-082/120
400 (tubes)	99-090/040	99-091/040	99-092/040
600 (tubes)	99-090/060	99-091/060	99-092/060
900 (tubes)	99-090/090	99-091/090	99-092/090
1200 (tubes)	99-090/120	99-091/120	99-092/120

pendants for two lamp luminaires

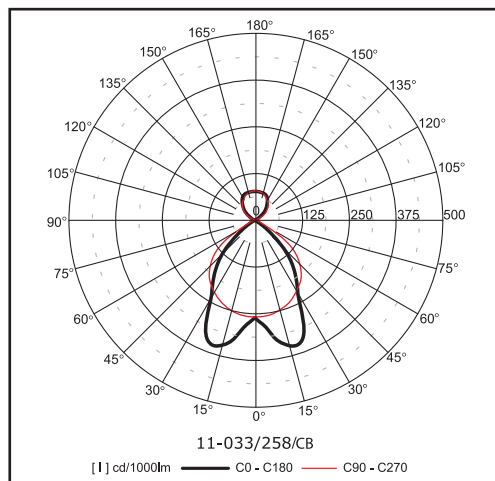
length(mm)	without a cable	with a cable 3x1,5mm ²	with a cable 5x1,5mm ²
1200 (wires)	99-083/120	99-084/120	99-085/120
400 (tubes)	99-093/040	99-094/040	99-095/040
600 (tubes)	99-093/060	99-094/060	99-095/060
900 (tubes)	99-093/090	99-094/090	99-095/090
1200 (tubes)	99-093/120	99-094/120	99-095/120

Code	Power	Louvre	Lamp	Cap	LxBxH (mm)	Kg
11-023/118/ ¹ / ₂	1x18W	A,B,C,D,J,X	T8 lamp	G13	630x207x80	2,7
11-023/136/ ¹ / ₂	1x36W	A,B,C,D,J,X	T8 lamp	G13	1240x207x80	4,5
11-023/158/ ¹ / ₂	1x58W	A,B,C,D,J,X	T8 lamp	G13	1540x207x80	5,4
11-023/218/ ¹ / ₂	2x18W	A,B,C,D,J,X	T8 lamp	G13	630x336x80	3,3
11-023/236/ ¹ / ₂	2x36W	A,B,C,D,J,X	T8 lamp	G13	1240x336x80	6,8
11-023/258/ ¹ / ₂	2x58W	A,B,C,D,J,X	T8 lamp	G13	1540x336x80	7,9

¹ - E (low loss ballast) - C (electronic ballast)

₂ - A (white louvre) - B (highly polished parab. louvre, 60°) - C (matted parabolic louvre, 60°)
 - D (polished christmas tree louvre)
 - J (matted christmas tree louvre) - X (prismatic cover)

gemma | 11-03



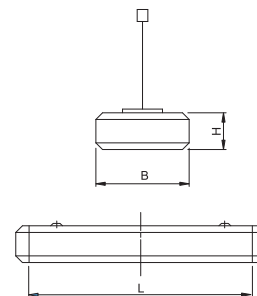
pendants for one lamp luminaires

length(mm)	without a cable	with a cable 3x1,5mm ²	with a cable 5x1,5mm ²
1200 (wires)	99-080/120	99-081/120	99-082/120
400 (tubes)	99-090/040	99-091/040	99-092/040
600 (tubes)	99-090/060	99-091/060	99-092/060
900 (tubes)	99-090/090	99-091/090	99-092/090
1200 (tubes)	99-090/120	99-091/120	99-092/120

pendants for two lamp luminaires

length(mm)	without a cable	with a cable 3x1,5mm ²	with a cable 5x1,5mm ²
1200 (wires)	99-083/120	99-084/120	99-085/120
400 (tubes)	99-093/040	99-094/040	99-095/040
600 (tubes)	99-093/060	99-094/060	99-095/060
900 (tubes)	99-093/090	99-094/090	99-095/090
1200 (tubes)	99-093/120	99-094/120	99-095/120

Suspended luminaires - direct/indirect
- coupling in lines
- fit to lighting systems



Material:

- body: a steel sheet finished by powder technology varnishing
- color: white RAL 9003
- louvre: highly polished or matted double parabolic louvre made of aluminium sheet; polished or matted christmas tree louvre; white louvre

Degree of protection: IP 20

Rated voltage: 230V/50Hz

Control gear: low loss ballast or electronic ballast, dimmable ballast by request, the luminaires are offered also in emergency version

Mounting: suspended on wire or tube pendants - separate or in lighting systems (see Coupling agents of fluorescent luminaires)

Accessories: plastic endings (must be ordered separately)

99-103 (for one lamp luminaires)

99-104 (for two lamp luminaires)

wire and tube pendants must be ordered separately

Application: reception desks, shops, counters, computer labs, cafeterias

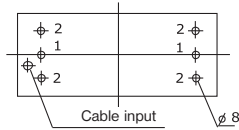
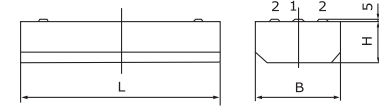
Code	Power	Louvre	Lamp	Cap	LxBxH (mm)	Kg
11-033/118/1 2	1x18W	A,B,C,D,J,X	T8 lamp	G13	630x207x80	2,7
11-033/136/1 2	1x36W	A,B,C,D,J,X	T8 lamp	G13	1240x207x80	4,5
11-033/158/1 2	1x58W	A,B,C,D,J,X	T8 lamp	G13	1540x207x80	5,4
11-033/218/1 2	2x18W	A,B,C,D,J,X	T8 lamp	G13	630x336x80	3,3
11-033/236/1 2	2x36W	A,B,C,D,J,X	T8 lamp	G13	1240x336x80	6,8
11-033/258/1 2	2x58W	A,B,C,D,J,X	T8 lamp	G13	1540x336x80	7,9

1 - E (low loss ballast)
 - C (electronic ballast)

2 - A (white louvre)
 - B (highly polished parab. louvre, 60°)
 - C (matted parabolic louvre, 60°)
 - D (polished christmas tree louvre)
 - J (matted christmas tree louvre)
 - X (prismatic cover)

Ceiling and suspended luminaires - separate

12-01, 12-04 | gemini



Mounting holes:
1 - one lamp luminaires 12-01
and two lamps luminaires 12-04
2 - two and more lamps luminaires 12-01



Material:

- body: a steel sheet finished by powder technology varnishing
- color: white RAL 9003
- louvre: polished or matted christmas tree louvre; white louvre

Degree of protection: IP 20

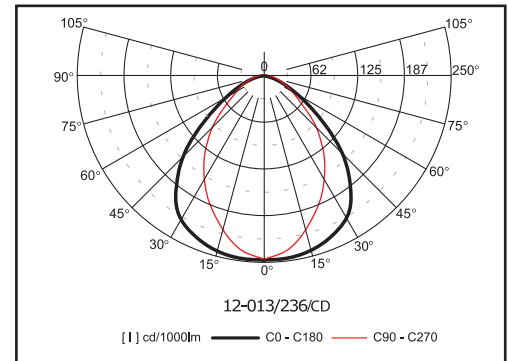
Rated voltage: 230V/50Hz

Control gear: low loss ballast or electronic ballast, dimmable ballast on request;
the luminaires are offered also in emergency version

Mounting: on a ceiling, one and two lamp luminaires are also fit to suspended mounting

Accessories: wire and tube pendants (must be ordered separately)

Application: offices, corridors and stairways, shops, lecture halls



Code	Power	Louvre	Lamp	Cap	LxBxH (mm)	Kg
12-013/118/12	1x18W	A,D,J	T8 lamp	G13	654x195x60	2,4
12-013/136/12	1x36W	A,D,J	T8 lamp	G13	1264x195x60	4,0
12-013/158/12	1x58W	A,D,J	T8 lamp	G13	1564x195x60	4,9
12-013/218/12	2x18W	A,D,J	T8 lamp	G13	654x266x60	2,8
12-013/236/12	2x36W	A,B,C,D,J,X,Z	T8 lamp	G13	1234x266x60	5,1
12-013/258/12	2x58W	A,B,C,D,J,X,Z	T8 lamp	G13	1534x266x60	6,9
12-013/318/12	3x18W	A,D,J	T8 lamp	G13	654x362x60	4,4
12-013/336/12	3x36W	A,D,J	T8 lamp	G13	1264x362x60	7,7
12-013/358/12	3x58W	A,D,J	T8 lamp	G13	1564x362x60	8,0
12-013/418/12	4x18W	A,D,J	T8 lamp	G13	654x654x60	4,8
12-013/436/12	4x36W	A,D,J	T8 lamp	G13	1264x458x60	8,8
12-013/458/12	4x58W	A,D,J	T8 lamp	G13	1564x458x60	9,2
12-043/218/12	2x18W	A,D,J	T8 lamp	G13	654x195x60	2,5
12-043/236/12	2x36W	A,D,J	T8 lamp	G13	1264x195x60	4,5
12-043/258/12	2x58W	A,D,J	T8 lamp	G13	1564x195x60	5,7

pendants for one lamp luminaires 12-01 and two lamps luminaires 12-04

length(mm)	without a cable	with a cable 3x1,5mm ²	with a cable 5x1,5mm ²
1200 (wires)	99-080/120	99-081/120	99-082/120
400 (tubes)	99-090/040	99-091/040	99-092/040
600 (tubes)	99-090/060	99-091/060	99-092/060
900 (tubes)	99-090/090	99-091/090	99-092/090
1200 (tubes)	99-090/120	99-091/120	99-092/120

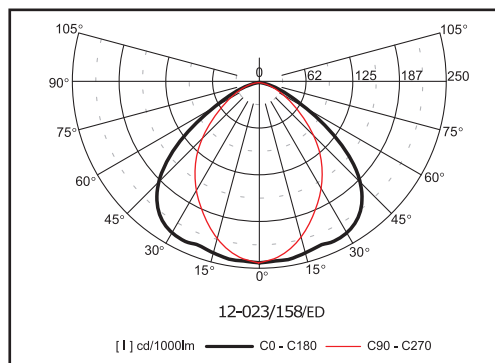
pendants for two lamp luminaires 12-01

length(mm)	without a cable	with a cable 3x1,5mm ²	with a cable 5x1,5mm ²
1200 (wires)	99-083/120	99-084/120	99-085/120
400 (tubes)	99-093/040	99-094/040	99-095/040
600 (tubes)	99-093/060	99-094/060	99-095/060
900 (tubes)	99-093/090	99-094/090	99-095/090
1200 (tubes)	99-093/120	99-094/120	99-095/120

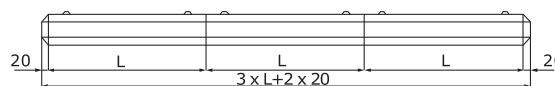
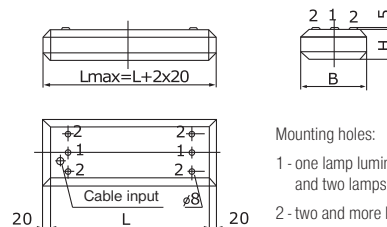
1 - E (low loss ballast) - C (electronic ballast)

2 - A (white louvre) - B (highly polished parab. louvre) - C (matted parabolic louvre)
- D (polished christmas tree louvre) - J (matted christmas tree louvre) - X (prismatic cover)
- Z (opaline cover); (C,B,X,Z only for 2x36W and 2x58W)

gemini | 12-02, 12-05



Ceiling and suspended luminaires - coupling in lines, - fit to lighting systems



Material:

- body: a steel sheet finished by powder technology varnishing
- color: white RAL 9003
- louver: polished or matted christmas tree louver; white louver

Degree of protection: IP 20

Rated voltage: 230V/50Hz

Control gear: low loss ballast or electronic ballast, dimmable ballast by request

Mounting: on a ceiling, one and two lamp luminaires are also fit to suspended mounting and coupling in lines and lighting systems

Accessories: plastic endings (must be ordered separately)

99-107 (single lamp luminaires and 12-05)

99-108 (double lamp luminaires) coupling components

(see Coupling agents of fluorescent luminaires)

wire and tube pendants (must be ordered separately)

Application: office, corridors and stairways, shops, lecture halls

Code	Power	Louvre	Lamp	Cap	LxBxH (mm)	Kg
12-023/118/12	1x18W	A,D,J	T8 lamp	G13	630x195x60	2,4
12-023/136/12	1x36W	A,D,J	T8 lamp	G13	1240x195x60	4,0
12-023/158/12	1x58W	A,D,J	T8 lamp	G13	1540x195x60	4,9
12-023/218/12	2x18W	A,D,J	T8 lamp	G13	630x266x60	2,8
12-023/236/12	2x36W	A,D,J	T8 lamp	G13	1240x266x60	5,1
12-023/258/12	2x58W	A,D,J	T8 lamp	G13	1540x266x60	6,9
12-053/218/12	2x18W	A,D,J	T8 lamp	G13	630x195x60	2,5
12-053/236/12	2x36W	A,D,J	T8 lamp	G13	1240x195x60	4,5
12-053/258/12	2x58W	A,D,J	T8 lamp	G13	1540x195x60	5,7

1] - E (low loss ballast) - C (electronic ballast)

2] - A (white louver) - D (polished christmas tree louver)
- J (matted christmas tree louver)

pendants for one lamp luminaires 12-02 and two lamp lum. 12-05

length(mm)	without a cable	with a cable 3x1,5mm ²	with a cable 5x1,5mm ²
1200 (wires)	99-080/120	99-081/120	99-082/120
400 (tubes)	99-090/040	99-091/040	99-092/040
600 (tubes)	99-090/060	99-091/060	99-092/060
900 (tubes)	99-090/090	99-091/090	99-092/090
1200 (tubes)	99-090/120	99-091/120	99-092/120

pendants for two lamp luminaires 12-02

length(mm)	without a cable	with a cable 3x1,5mm ²	with a cable 5x1,5mm ²
1200 (wires)	99-083/120	99-084/120	99-085/120
400 (tubes)	99-093/040	99-094/040	99-095/040
600 (tubes)	99-093/060	99-094/060	99-095/060
900 (tubes)	99-093/090	99-094/090	99-095/090
1200 (tubes)	99-093/120	99-094/120	99-095/120

Suspended luminaires - direct/indirect, - coupling in lines, - fit to lighting systems



12-03, 12-06 | gemini



Material:

- body: a steel sheet finished by powder technology varnishing
- color: white RAL 9003
- louvre: polished or matted christmas tree louvre; white louvre

Degree of protection: IP 20

Rated voltage: 230V/50Hz

Control gear: low loss ballast or electronic ballast, dimmable ballast by request

Mounting: on pendants, fit to coupling in lines and lighting systems

(see Coupling agents of fluorescent luminaires)

Accessories: plastic endings

(must be ordered separately)

99-107 (one lamp luminaires and 12-06)

99-108 (two lamp luminaires)

wire and tube pendants must be ordered separately

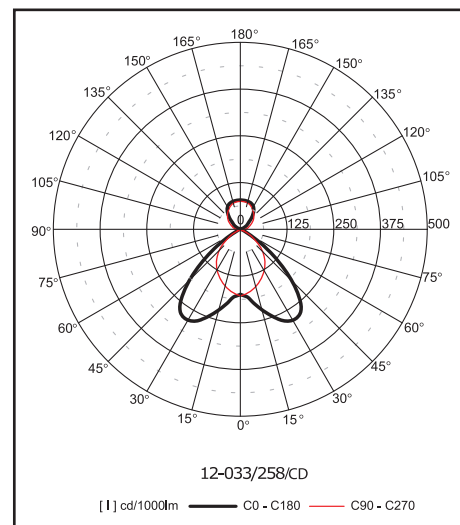
Application: offices, corridors and stairways, shops, lecture halls

pendants for one lamp luminaires 12-03 and two lamp luminaires 12-06

length(mm)	without a cable	with a cable 3x1,5mm ²	with a cable 5x1,5mm ²
1200 (wires)	99-080/120	99-081/120	99-082/120
400 (tubes)	99-090/040	99-091/040	99-092/040
600 (tubes)	99-090/060	99-091/060	99-092/060
900 (tubes)	99-090/090	99-091/090	99-092/090
1200 (tubes)	99-090/120	99-091/120	99-092/120

pendants for two lamp luminaires 12-03

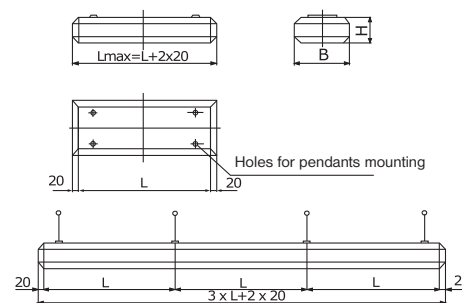
length(mm)	without a cable	with a cable 3x1,5mm ²	with a cable 5x1,5mm ²
1200 (wires)	99-083/120	99-084/120	99-085/120
400 (tubes)	99-093/040	99-094/040	99-095/040
600 (tubes)	99-093/060	99-094/060	99-095/060
900 (tubes)	99-093/090	99-094/090	99-095/090
1200 (tubes)	99-093/120	99-094/120	99-095/120



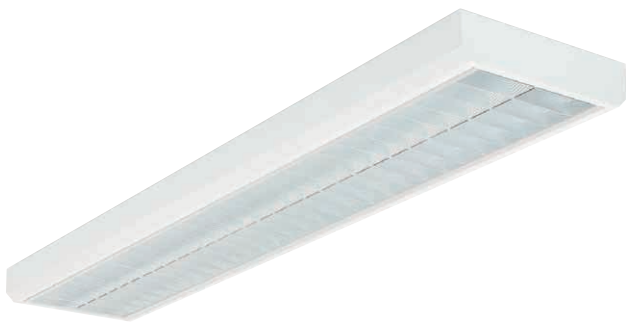
Code	Power	Louvre	Lamp	Cap	LxBxH (mm)	Kg
12-033/118/1 2	1x18W	A,D,J	T8 lamp	G13	630x195x60	2,4
12-033/136/1 2	1x36W	A,D,J	T8 lamp	G13	1240x195x60	4,0
12-033/158/1 2	1x58W	A,D,J	T8 lamp	G13	1540x195x60	4,9
12-033/218/1 2	2x18W	A,D,J	T8 lamp	G13	630x266x60	2,8
12-033/236/1 2	2x36W	A,D,J	T8 lamp	G13	1240x266x60	5,1
12-033/258/1 2	2x58W	A,D,J	T8 lamp	G13	1540x266x60	6,9
12-063/218/1 2	2x18W	A,D,J	T8 lamp	G13	630x195x60	2,5
12-063/236/1 2	2x36W	A,D,J	T8 lamp	G13	1240x195x60	4,5
12-063/258/1 2	2x58W	A,D,J	T8 lamp	G13	1540x195x60	5,7

1 - E (low loss ballast) - C (electronic ballast)

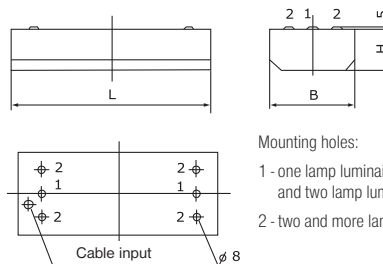
2 - A (white louvre) - D (polished christmas tree louvre) - J (matted christmas tree louvre)



pavo | 13-01, 13-04

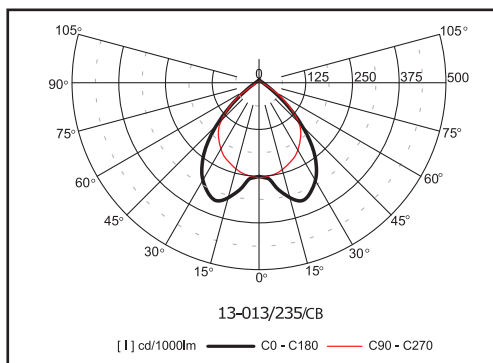


Ceiling and suspended luminaires - T5 lamps - separate



Mounting holes:

- 1 - one lamp luminaires 13-01 and two lamp luminaires 13-04
- 2 - two and more lamp luminaires



Material:

- body: a steel sheet finished by powder technology varnishing
- color: white RAL 9003
- louvre: highly polished or matted parabolic louvre - Miro, polished or matted christmas tree louvre

Degree of protection: IP 20

Rated voltage: 230V/50Hz

Control gear: electronic ballast, dimmable ballast by request; the luminaires are offered also in emergency version

Mounting: on a ceiling, one and two lamp luminaires are also fit to separate mounting

Accessories: wire and tube pendants (must be ordered separately)

Application: office, corridors and stairways, shops, lecture halls

pendants for one lamp luminaires 13-01 and two lamp luminaires 13-04

length(mm)	without a cable	with a cable 3x1,5mm ²	with a cable 5x1,5mm ²
1200 (wires)	99-080/120	99-081/120	99-082/120
400 (tubes)	99-090/040	99-091/040	99-092/040
600 (tubes)	99-090/060	99-091/060	99-092/060
900 (tubes)	99-090/090	99-091/090	99-092/090
1200 (tubes)	99-090/120	99-091/120	99-092/120

pendants for two lamp luminaires 13-01

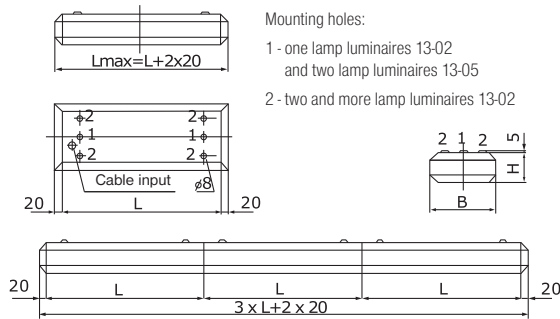
length(mm)	without a cable	with a cable 3x1,5mm ²	with a cable 5x1,5mm ²
1200 (wires)	99-083/120	99-084/120	99-085/120
400 (tubes)	99-093/040	99-094/040	99-095/040
600 (tubes)	99-093/060	99-094/060	99-095/060
900 (tubes)	99-093/090	99-094/090	99-095/090
1200 (tubes)	99-093/120	99-094/120	99-095/120

Code	Power	Louvre	Lamp	Cap	LxBxH (mm)	Kg
13-013/114/C	1x14W	B,C,D,J,X,Z	T5 lamp	G5	593x195x60	2,1
13-013/128/C	1x28W	B,C,D,J,X,Z	T5 lamp	G5	1193x195x60	3,5
13-013/135/C	1x35W	B,C,D,J,X,Z	T5 lamp	G5	1493x195x60	4,2
13-013/214/C	2x14W	B,C,D,J,X,Z	T5 lamp	G5	593x266x60	2,5
13-013/228/C	2x28W	B,C,D,J,X,Z	T5 lamp	G5	1193x266x60	4,3
13-013/235/C	2x35W	B,C,D,J,X,Z	T5 lamp	G5	1493x266x60	5,5
13-013/314/C	3x14W	B,C,D,J,X,Z	T5 lamp	G5	593x362x60	3,5
13-013/328/C	3x28W	B,C,D,J,X,Z	T5 lamp	G5	1193x362x60	6,2
13-013/414/C	4x14W	B,C,D,J,X,Z	T5 lamp	G5	593x458x60	3,9
13-013/428/C	4x28W	B,C,D,J,X,Z	T5 lamp	G5	1193x458x60	7,3
13-043/214/C	2x14W	B,C,D,J,X,Z	T5 lamp	G5	593x195x60	2,2
13-043/228/C	2x28W	B,C,D,J,X,Z	T5 lamp	G5	1193x195x60	3,7
13-043/235/C	2x35W	B,C,D,J,X,Z	T5 lamp	G5	1493x195x60	4,4

Luminaires with 24W, 49W, 54W or 80W T5 lamps by request.

- B (highly polished parab. louvre, 60°) - C (matted parabolic louvre, 60°) - D (polished christmas tree louvre) - J (matted christmas tree louvre) - X (prismatic cover) - Z (opaline cover)

Ceiling and suspended luminaires - T5 lamps - direct - fit to lighting systems



Material:

- body: a steel sheet finished by powder technology varnishing
- color: white RAL 9003
- louvre: highly polished or matted parabolic louvre - Miro, polished or matted christmas tree louvre

Degree of protection: IP 20

Rated voltage: 230V/50Hz

Control gear: electronic ballast, dimmable ballast by request

Mounting: on a ceiling, one and two lamp luminaires are also fit both to separate mounting and coupling in lighting systems (see Coupling agents of fluorescent luminaires)

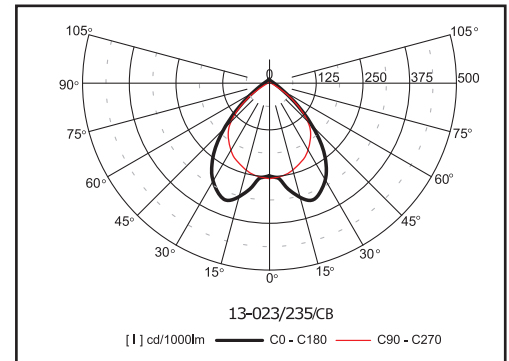
Accessories: plastic endings (must be ordered separately)

99-107 (one lamp luminaires and 13-05)

99-108 (two lamp luminaires)

wire and tube pendants (must be ordered separately)

Application: office, corridors and stairways, shops, lecture halls



pendants for one lamp luminaires 13-02 and two lamp luminaires 13-05

length(mm)	without a cable	with a cable 3x1,5mm ²	with a cable 5x1,5mm ²
1200 (wires)	99-080/120	99-081/120	99-082/120
400 (tubes)	99-090/040	99-091/040	99-092/040
600 (tubes)	99-090/060	99-091/060	99-092/060
900 (tubes)	99-090/090	99-091/090	99-092/090
1200 (tubes)	99-090/120	99-091/120	99-092/120

pendants for two lamp luminaires 13-02

length(mm)	without a cable	with a cable 3x1,5mm ²	with a cable 5x1,5mm ²
1200 (wires)	99-083/120	99-084/120	99-085/120
400 (tubes)	99-093/040	99-094/040	99-095/040
600 (tubes)	99-093/060	99-094/060	99-095/060
900 (tubes)	99-093/090	99-094/090	99-095/090
1200 (tubes)	99-093/120	99-094/120	99-095/120

Code	Power	Louvre	Lamp	Cap	LxBxH (mm)	Kg
13-023/114/C	1x14W	B,C,D,J	T5 lamp	G5	590x195x60	2,0
13-023/128/C	1x28W	B,C,D,J	T5 lamp	G5	1194x195x60	3,3
13-023/135/C	1x35W	B,C,D,J	T5 lamp	G5	1490x195x60	3,9
13-023/214/C	2x14W	B,C,D,J	T5 lamp	G5	590x266x60	2,3
13-023/228/C	2x28W	B,C,D,J	T5 lamp	G5	1194x266x60	3,9
13-023/235/C	2x35W	B,C,D,J	T5 lamp	G5	1490x266x60	5,5
13-053/214/C	2x14W	B,C,D,J	T5 lamp	G5	590x195x60	2,2
13-053/228/C	2x28W	B,C,D,J	T5 lamp	G5	1194x195x60	3,7
13-053/235/C	2x35W	B,C,D,J	T5 lamp	G5	1490x195x60	4,4

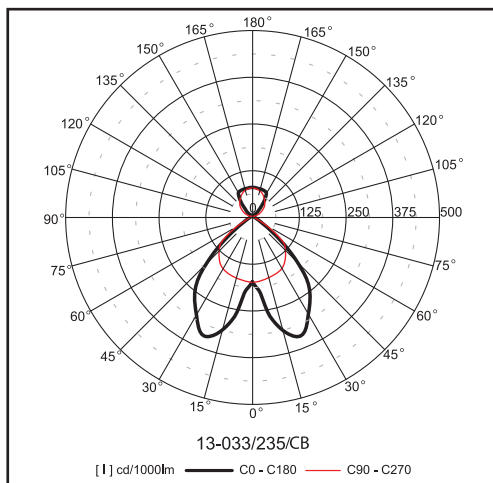
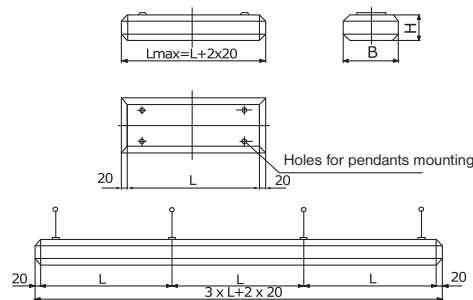
Luminaires with 24W, 49W, 54W or 80W T5 lamps by request.

- B (highly polished parab. louvre, 60°) - C (matted parabolic louvre, 60°)
- D (polished christmas tree louvre) - J (matted christmas tree louvre)

pavo | 13-03, 13-06



Suspended luminaires - direct/indirect
- T5 lamps, - coupling in lines,
- fit to lighting systems



Material:

- body: a steel sheet finished by powder technology varnishing
- color: white RAL 9003
- louvre: highly polished or matted parabolic louvre - Miro, polished or matted christmas tree louvre

Degree of protection: IP 20

Rated voltage: 230V/50Hz

Control gear: electronic ballast, dimmable ballast by request

Mounting: on pendants, fit to coupling in lines and lighting systems
 (see Coupling agents of fluorescent luminaires)

Accessories: plastic endings (must be ordered separately)

99-107 (one lamp luminaire and 13-06)

99-108 (two lamp luminaire)

wire and tube pendants (must be ordered separately)

Application: offices, corridors and stairways, shops, lecture halls

pendants for one lamp luminaires 13-03 and two lamp luminaires 13-06

length(mm)	without a cable	with a cable 3x1,5mm ²	with a cable 5x1,5mm ²
1200 (wires)	99-080/120	99-081/120	99-082/120
400 (tubes)	99-090/040	99-091/040	99-092/040
600 (tubes)	99-090/060	99-091/060	99-092/060
900 (tubes)	99-090/090	99-091/090	99-092/090
1200 (tubes)	99-090/120	99-091/120	99-092/120

pendants for two lamp luminaires 13-03

length(mm)	without a cable	with a cable 3x1,5mm ²	with a cable 5x1,5mm ²
1200 (wires)	99-083/120	99-084/120	99-085/120
400 (tubes)	99-093/040	99-094/040	99-095/040
600 (tubes)	99-093/060	99-094/060	99-095/060
900 (tubes)	99-093/090	99-094/090	99-095/090
1200 (tubes)	99-093/120	99-094/120	99-095/120

Code	Power	Louvre	Lamp	Cap	LxBxH (mm)	Kg
13-033/114/C	1x14W	B,C,D,J	T5 lamp	G5	590x195x60	2,0
13-033/128/C	1x28W	B,C,D,J	T5 lamp	G5	1194x195x60	3,3
13-033/135/C	1x35W	B,C,D,J	T5 lamp	G5	1490x195x60	3,9
13-033/214/C	2x14W	B,C,D,J	T5 lamp	G5	590x266x60	2,3
13-033/228/C	2x28W	B,C,D,J	T5 lamp	G5	1194x266x60	3,9
13-033/235/C	2x35W	B,C,D,J	T5 lamp	G5	1490x266x60	5,5
13-063/214/C	2x14W	B,C,D,J	T5 lamp	G5	590x195x60	2,2
13-063/228/C	2x28W	B,C,D,J	T5 lamp	G5	1194x195x60	3,7
13-063/235/C	2x35W	B,C,D,J	T5 lamp	G5	1490x195x60	4,4

Luminaires with 24W, 49W, 54W or 80W T5 lamps by request.

- B (highly polished parab. louvre, 60°) - C (matted parabolic louvre, 60°)
- D (polished christmas tree louvre)
- J (matted christmas tree louvre)

Coupling agents of fluorescent luminaires

11, 12, 13 | gemma, gemini, pavo

Specification:

- fixed or adjustable universal coupling agents of the series 11 - Gemma, 12 - Gemini, 13 - Pavo
- mounting both suspended and ceiling
- couplings are designed to pull through the feeding cables

Couplings: • fixed:

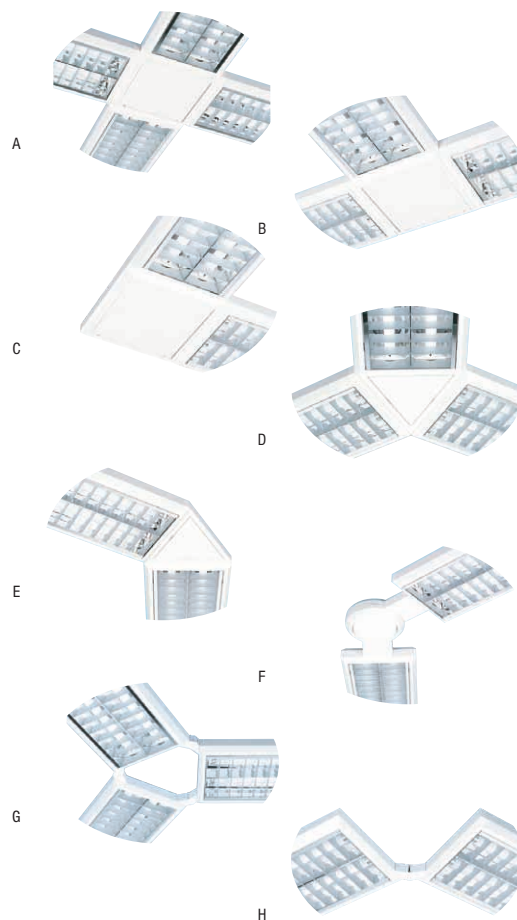
GEMMA		GEMINI and PAVO	
single lamp lum.	double lamp lum.	single lamp lum.	double lamp lum.
A - a square coupling for fixed coupling of four luminaires in a cross			
99-321	99-331	99-361	99-371
B - a square coupling for fixed coupling of three luminaires in "T" shape			
99-322	99-332	99-362	99-372
C - a square coupling for fixed coupling of two luminaires in right angle			
99-323	99-333	99-363	99-373
D - a triangle coupling for fixed coupling of three luminaires in the shape of a star			
99-325	99-335	99-365	99-375
E - a triangle coupling for fixed coupling of two luminaires in the angle of 120°			
99-326	99-336	99-366	99-376

• adjustable:

- a corner coupling adjustable in the range 30-150°
- a discoide coupling adjusting two luminaires in the range: 65-295° one-lamp luminaires of the series 11, 12, 13
90-180° two-lamp luminaires of the series 11
75-285° with the series 12, 13

GEMMA		GEMINI a PAVO	
single lamp lum.	double lamp lum.	single lamp lum.	double lamp lum.
F - a discoid coupling for revolving coupling of two luminaires			
99-421	99-431	99-461	99-471
G - a corner coupling for revolving coupling of three or more luminaires			
-	-	99-462	99-472
H - a corner coupling for revolving coupling of two luminaires (30-150°)			
-	-	99-463	99-473

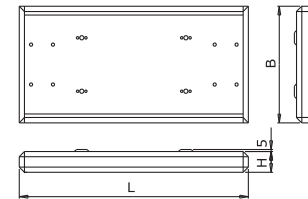
Plain modules	Code	LxBxH	Code	LxBxH
	11-000/118	630x207x80	12-000/118	630x195x60
	11-000/136	1240x207x80	12-000/136	1240x195x60
	11-000/158	1540x207x80	12-000/158	1540x195x60
	11-000/218	630x336x80	12-000/218	630x266x60
	11-000/236	1240x336x80	12-000/236	1240x266x60
Emergency modules	11-000/258	1540x336x80	12-000/258	1540x266x60
- luminous sign	11-003/118	630x207x80	12-003/118	630x195x60
	11-003/218	630x336x80	12-003/218	630x266x60
- sign module	11-100/118	630x207x80	12-100/118	630x195x60
	11-100/218	630x336x80	12-100/218	630x266x60
- luminous sign with inverter	11-103/118	630x207x80	12-103/118	630x195x60
	11-103/218	630x336x80	12-103/218	630x266x60

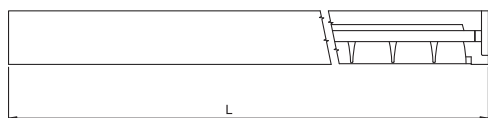
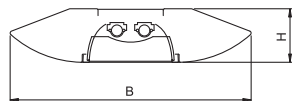
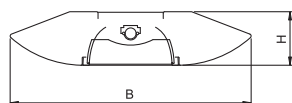
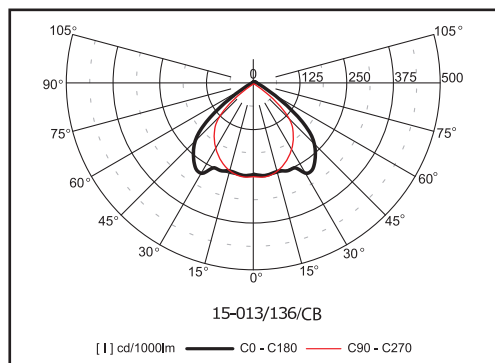


Plain modules

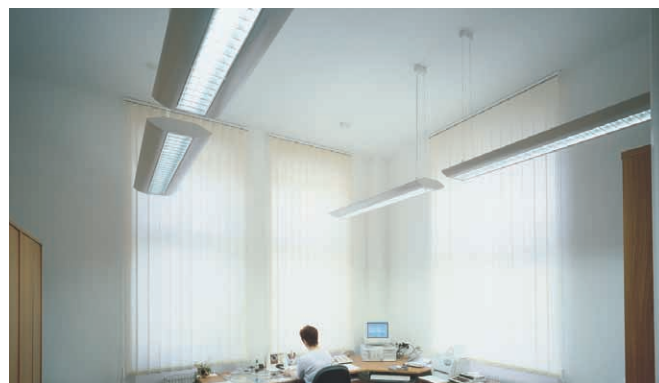


Emergency modules





Ceiling and suspended luminaires - direct - separate



Material:

- body: a steel sheet finished by powder technology varnishing
- color: white RAL 9003
- louvre: highly polished or matted parabolic louvre made of a pure aluminium sheet

Degree of protection: IP 20

Rated voltage: 230V/50Hz

Control gear: low loss ballast or electronic ballast, dimmable ballast by request; the luminaires are offered also in emergency version

Mounting: built up on a ceiling or suspended on wire pendants

Accessories: (must be ordered separately)

99-080/120 wire pendant without power a supply cable (120 cm)

99-081/120 wire pendant with power a supply cable 3x1,5mm² (120 cm)

99-082/120 wire pendant with power a supply cable 5x1,5mm² (120 cm)

Application: reception desks, corridors, shops and boutiques, restaurants, counters, computer labs, representative offices

Code	Power	Louvre	Lamp	Cap	LxBxH (mm)	Kg
15-013/136/ [1] [2]	1x36W	B, C	T8 lamp	G13	1242x351x78	7,8
15-013/158/ [1] [2]	1x58W	B, C	T8 lamp	G13	1542x351x78	8,4
15-013/236/ [1] [2]	2x36W	B, C	T8 lamp	G13	1242x351x78	7,9
15-013/258/ [1] [2]	2x58W	B, C	T8 lamp	G13	1542x351x78	8,5
15-013/128/C [2]	1x28W	B, C	T5 lamp	G5	1192x351x78	7,5
15-013/135/C [2]	1x35W	B, C	T5 lamp	G5	1492x351x78	8,3
15-013/228/C [2]	2x28W	B, C	T5 lamp	G5	1192x351x78	7,6
15-013/235/C [2]	2x35W	B, C	T5 lamp	G5	1492x351x78	8,4

Luminaires with 49W, 54W or 80W T5 lamps by request.

[1] - E (low loss ballast) - C (electronic ballast)

[2] - B (highly polished parab. louvre) - C (matted parabolic louvre)

Suspended luminaires – direct - coupling in lines



Material:

- body: a steel sheet finished by powder technology varnishing
- color: white RAL 9003
- louvre: highly polished or matted parabolic louvre made of a pure aluminium sheet

Degree of protection: IP 20

Rated voltage: 230V/50Hz

Control gear: low loss ballast or electronic ballast, dimmable ballast by request; the luminaires are offered also in emergency version

Mounting: built up on a ceiling or suspended on wire pendants, coupling in lines. Luminaire is supplied including one ending.

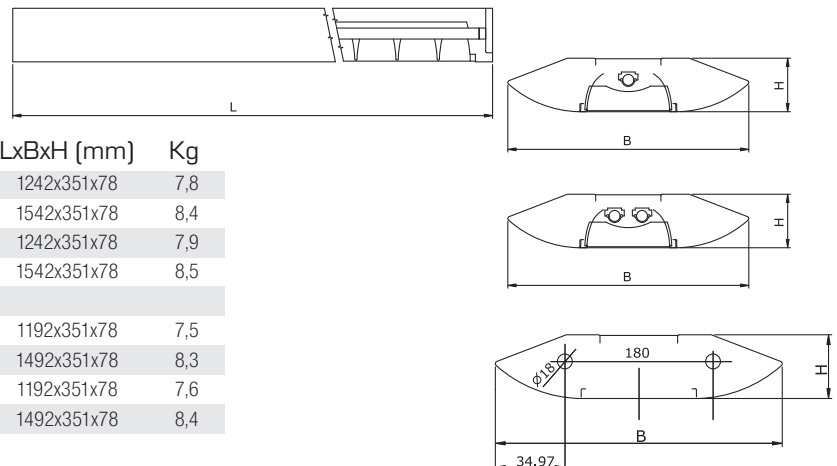
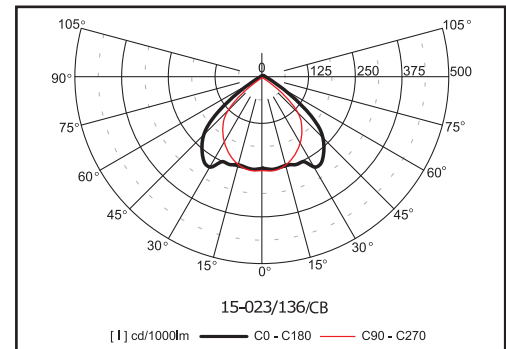
Accessories: (must be ordered separately)

99-080/120 wire pendant without power a supply cable (120 cm)

99-081/120 wire pendant with power a supply cable 3x1,5mm² (120 cm)

99-082/120 wire pendant with power a supply cable 5x1,5mm² (120 cm)

Application: reception desks, corridors, shops and boutiques, restaurants, counters, computer labs, representative offices



Code	Power	Louvre	Lamp	Cap	LxBxH (mm)	Kg
15-023/136/ [1] [2]	1x36W	B, C	T8 lamp	G13	1242x351x78	7,8
15-023/158/ [1] [2]	1x58W	B, C	T8 lamp	G13	1542x351x78	8,4
15-023/236/ [1] [2]	2x36W	B, C	T8 lamp	G13	1242x351x78	7,9
15-023/258/ [1] [2]	2x58W	B, C	T8 lamp	G13	1542x351x78	8,5
15-023/128/C [2]	1x28W	B, C	T5 lamp	G5	1192x351x78	7,5
15-023/135/C [2]	1x35W	B, C	T5 lamp	G5	1492x351x78	8,3
15-023/228/C [2]	2x28W	B, C	T5 lamp	G5	1192x351x78	7,6
15-023/235/C [2]	2x35W	B, C	T5 lamp	G5	1492x351x78	8,4

Luminaires with 49W, 54W or 80W T5 lamps by request.

[1] - E (low loss ballast)

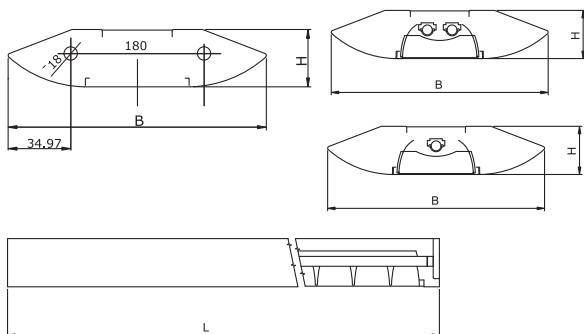
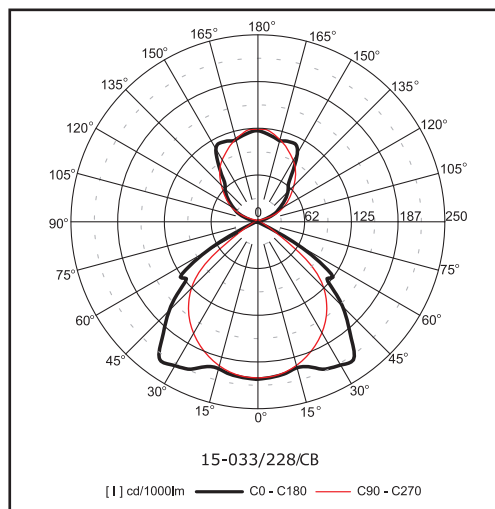
- C (electronic ballast)

[2] - B (highly polished parab. louvre)

- C (matted parabolic louvre)



Suspended luminaires - direct/indirect - coupling in lines



Material:

- body: a steel sheet finished by powder technology varnishing
- color: white RAL 9003
- louvre: highly polished or matted parabolic louvre made of a pure aluminium sheet

Degree of protection: IP 20

Rated voltage: 230V/50Hz

Control gear: low loss ballast or electronic ballast, dimmable ballast by request; the luminaires are offered also in emergency version

Mounting: suspended on wire pendants, connected in lines. Luminaire is supplied including one ending.

Accessories: (must be ordered separately)

- 99-080/120 wire pendant without power a supply cable (120 cm)
- 99-081/120 wire pendant with power a supply cable 3x1,5mm² (120 cm)
- 99-082/120 wire pendant with power a supply cable 5x1,5mm² (120 cm)

Application: reception desks, corridors, shops and boutiques, restaurants, counters, computer labs, representative offices

Code	Power	Louvre	Lamp	Cap	LxBxH (mm)	Kg
15-033/136/ [1] [2]	1x36W	B, C	T8 lamp	G13	1242x351x78	7,8
15-033/158/ [1] [2]	1x58W	B, C	T8 lamp	G13	1542x351x78	8,4
15-033/236/ [1] [2]	2x36W	B, C	T8 lamp	G13	1242x351x78	7,9
15-033/258/ [1] [2]	2x58W	B, C	T8 lamp	G13	1542x351x78	8,5
15-033/128/C [2]	1x28W	B, C	T5 lamp	G5	1192x351x78	7,5
15-033/135/C [2]	1x35W	B, C	T5 lamp	G5	1492x351x78	8,3
15-033/228/C [2]	2x28W	B, C	T5 lamp	G5	1192x351x78	7,6
15-033/235/C [2]	2x35W	B, C	T5 lamp	G5	1492x351x78	8,4

Luminaires with 49W, 54W or 80W T5 lamps by request

[1] - E (low loss ballast) - C (electronic ballast)

[2] - B (highly polished parabol. louvre) - C (matted parabolic louvre)

Suspended luminaires - direct/indirect - separate



15-04 | avior



Material:

- body: a steel sheet finished by powder technology varnishing
- color: structured metallic gray
- louvre: highly polished or matted parabolic louvre made of a pure aluminium sheet

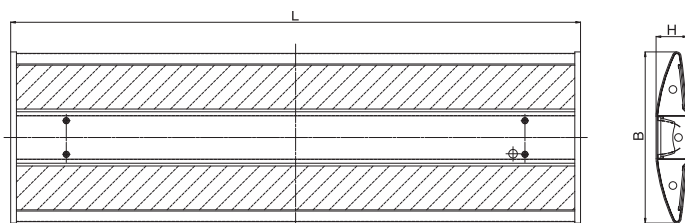
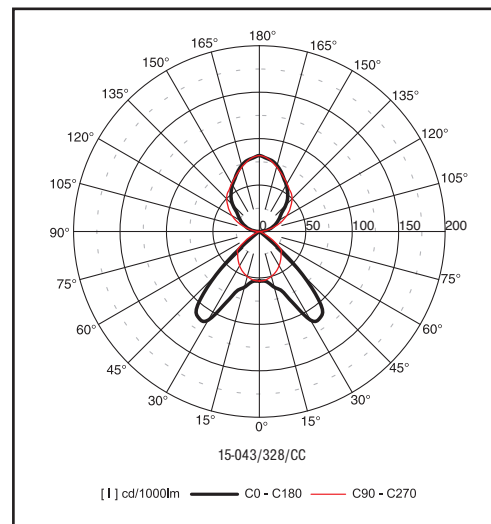
Degree of protection: IP 20

Rated voltage: 230V/50Hz

Control gear: electronic ballast, dimmable ballast (analog, digital or digital DALI) in double switch wiring, direct and indirect part of the light is controlled separately; the luminaires are offered also in emergency version

Mounting: suspended on wire pendants (pendants are supplied with luminaire)

Application: banks, representative offices, conference rooms



Code	Power	Louvre	Lamp	Cap	LxBxH (mm)	Kg
15-043/328/ [1] [2]	3x28W	B, C	T5 lamp	G5	1195x358x66	8,1
15-043/335/ [1] [2]	3x35W	B, C	T5 lamp	G5	1495x358x66	9,3
15-043/349/ [1] [2]	3x49W	B, C	T5 lamp	G5	1495x358x66	9,3
15-043/354/ [1] [2]	3x54W	B, C	T5 lamp	G5	1195x358x66	8,1
15-043/380/ [1] [2]	3x80W	B, C	T5 lamp	G5	1495x358x66	9,3

- [1] - C (electronic ballast)
 - R (analog dimmable ballast)
 - S (digital dimmable ballast)
 - T (digital dimmable ballast DALI)

- [2] - B (highly polished parab. louvre)
 - C (matted parabolic louvre)

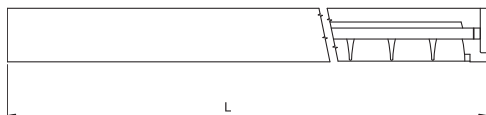
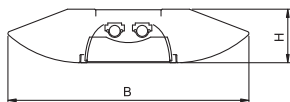
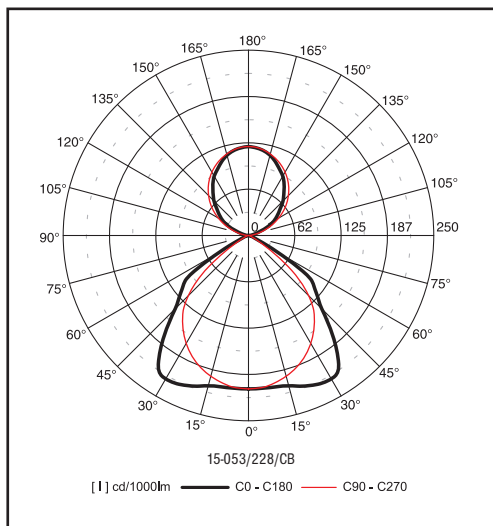
Detail of the luminaire with matted parabolic louvre



Upper side of the luminaire with the prismatic cover



avior | 15-05



Suspended luminaires – direct/indirect - separate



Material:

- body: a steel sheet finished by powder technology varnishing
- color: white RAL 9003
- louvre: highly polished or matted parabolic louvre made of a pure aluminium sheet

Degree of protection: IP 20

Rated voltage: 230V/50Hz

Control gear: electronic or dimmable ballast; the luminaires are offered also in emergency version

Mounting: on wire pendants (pendants are supplied with luminaire)

Application: reception desks, corridors, shops and boutiques, restaurants, counters, computers labs, representative offices

Code	Power	Louvre	Lamp	Cap	LxBxH (mm)	Kg
15-053/228/[1][2]	2x28W	B, C	T5 lamp	G5	1195x320x60	7,6
15-053/254/[1][2]	2x54W	B, C	T5 lamp	G5	1195x320x60	7,6
15-053/235/[1][2]	2x35W	B, C	T5 lamp	G5	1495x320x60	8,4
15-053/249/[1][2]	2x49W	B, C	T5 lamp	G5	1495x320x60	8,4

Luminaires with 80W T5 lamps by request

- [1] - C (electronic ballast)
- R (analog dimmable ballast)
- S (digital dimmable ballast)
- T (digital dimmable ballast DALI)

- [2] - B (highly polished parab. louvre)
- C (matted parabolic louvre)

Ceiling luminaires for indoor sports areas

17-01 | taurus



Material:

- body: a steel sheet finished by powder technology varnishing
- color: white RAL 9003
- louvre: white aluminium louvre, reinforced with aluminium rods protecting the lamps from ball bumps

Degree of protection: IP 20

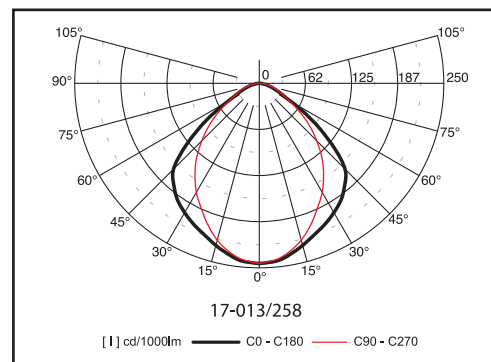
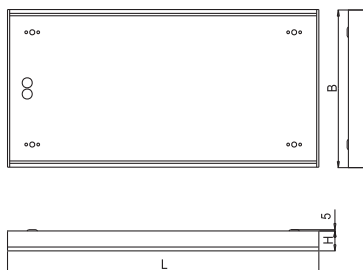
Rated voltage: 230V/50Hz

Control gear: low loss ballast or electronic ballast, dimmable ballast by request; the luminaires are offered also in emergency version

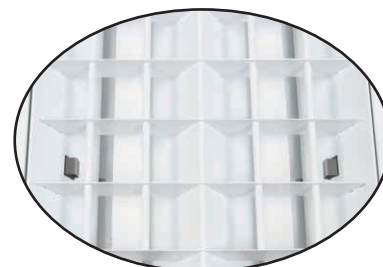
Mounting: directly on a ceiling

Application: gymnasiums, sporting halls, sport clubs

Shockproof test according to DIN 18032



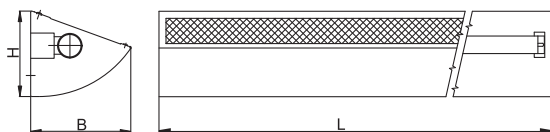
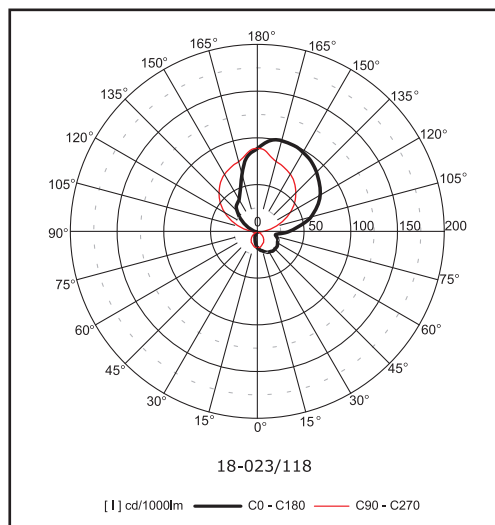
Safety locks protected against drop out of the louvre



Code	Power	Lamp	Cap	LxBxH (mm)	Kg
17-013/236/	2x36W	T8 lamp	G13	1248x336x80	8,5
17-013/258/	2x58W	T8 lamp	G13	1548x336x80	11,0
17-013/336/	3x36W	T8 lamp	G13	1248x492x80	12,2
17-013/358/	3x58W	T8 lamp	G13	1548x492x80	14,1
17-013/436/	4x36W	T8 lamp	G13	1248x632x80	14,2
17-013/458/	4x58W	T8 lamp	G13	1548x632x80	18,0

- E (low loss ballast) - C (electronic ballast)

vela | 18-01, 18-02



Wall luminaires - indirect (18-01) - direct/indirect (18-02)



Material:

- body: a steel sheet finished by powder technology varnishing, the upper side is covered by a prismatic cover, the bottom side of the series 18-02 direct/indirect is perforated and it is equipped with a diffusing sheet
- color: white RAL 9003

Degree of protection: IP 40

Rated voltage: 230V/50Hz

Control gear: low loss ballast or electronic ballast, dimmable ballast by request; the luminaires are offered also in emergency version

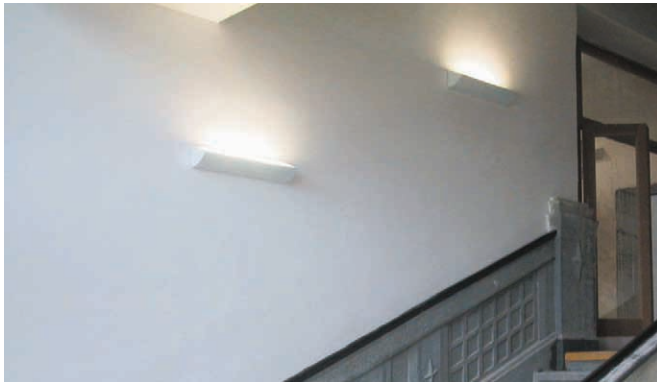
Mounting: built up on a wall

Application: corridors and stairways, lecture halls, auditoriums, representative rooms

Code	Power	Lamp	Cap	LxBxH (mm)	Kg
18-013/118/	1x18W	T8 lamp	G13	630x143x122	1,5
18-013/136/	1x36W	T8 lamp	G13	1240x143x122	2,8
18-013/158/	1x58W	T8 lamp	G13	1550x143x122	3,1
18-014/155/ C	1x55W	compact fl. lamp	2G11	630x143x122	1,6
18-014/236/	2x36W	compact fl. lamp	2G11	916x143x122	2,0
18-014/255/ C	2x55W	compact fl. lamp	2G11	1156x143x122	1,9
18-023/118/	1x18W	T8 lamp	G13	630x143x122	1,5
18-023/136/	1x36W	T8 lamp	G13	1240x143x122	2,8
18-023/158/	1x58W	T8 lamp	G13	1550x143x122	3,1
18-024/155/ C	1x55W	compact fl. lamp	2G11	630x143x122	1,5
18-024/236/	2x36W	compact fl. lamp	2G11	916x143x122	2,8
18-024/255/ C	2x55W	compact fl. lamp	2G11	1156x143x122	2,8

- E (low loss ballast) - C (electronic ballast)

Wall luminaires - indirect (18-03) - direct/indirect (18-04)



Material:

- body: a steel sheet finished by powder technology varnishing, the upper side is covered by a prismatic cover, the bottom side of the series 18-04 direct/indirect is perforated and it is equipped with a diffusing sheet
- color: white RAL 9003

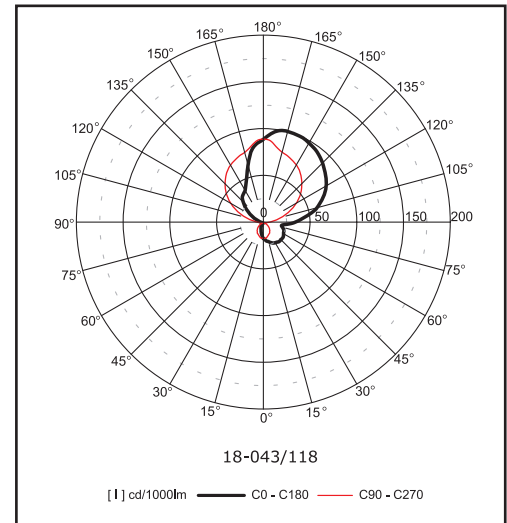
Degree of protection: IP 40

Rated voltage: 230V/50Hz

Control gear: low loss ballast or electronic ballast, dimmable ballast by request

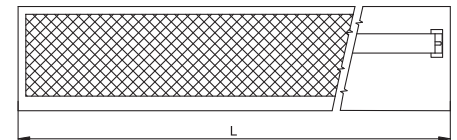
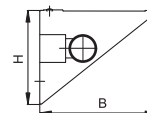
Mounting: built up on a wall

Application: corridors and stairways, lecture halls, auditoriums, representative rooms



Code	Power	Lamp	Cap	LxBxH (mm)	Kg
18-033/118/	1x18W	T8 lamp	G13	630x152x122	1,5
18-033/136/	1x36W	T8 lamp	G13	1240x152x122	2,8
18-033/158/	1x58W	T8 lamp	G13	1540x152x122	3,1
18-034/155/ C	1x55W	compact fl. lamp	2G11	630x152x122	1,6
18-034/236/	2x36W	compact fl. lamp	2G11	916x152x122	2,0
18-034/255/ C	2x55W	compact fl. lamp	2G11	1156x152x122	1,9
18-043/118/	1x18W	T8 lamp	G13	630x152x122	1,5
18-043/136/	1x36W	T8 lamp	G13	1240x152x122	2,8
18-043/158/	1x58W	T8 lamp	G13	1540x152x122	3,1
18-044/155/ C	1x55W	compact fl. lamp	2G11	630x152x122	1,5
18-044/236/	2x36W	compact fl. lamp	2G11	916x152x122	2,8
18-044/255/ C	2x55W	compact fl. lamp	2G11	1156x152x122	2,8

- E (low loss ballast) - C (electronic ballast)



scarab | 19-01, 19-02, 19-03

Wall, stand and suspended luminaires - direct/indirect



Material:

- body: steel sheet finished by powder technology varnishing
- color: white RAL 9003
- diffuser: decorated opaline cover

Transparent plastic cover as protection of lamps and makes easier maintenance of luminaire.

Degree of protection: IP 20

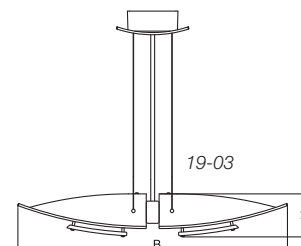
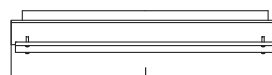
Rated voltage: 230V/50Hz

Control gear: electronic ballast, dimmable ballast by request

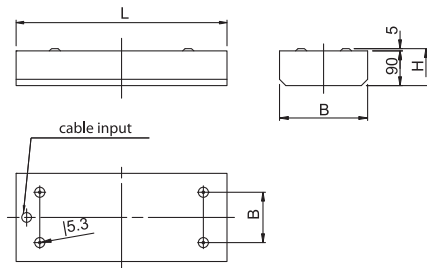
Mounting: separate mounting on wall (19-01), self-supporting version on stand (19-02), suspended mounting on wire pendants (19-03) which are supplied with luminaire

Application: offices, receptions, corridors, boutiques & restaurants

Code	Power	Lamp	Cap	LxBxH (mm)
19-014/255/CZ	2x55W	comp. fl. lamp	2G11	625x303x90
19-014/355/CZ	3x55W	comp. fl. lamp	2G11	625x303x90
Code	Power	Lamp	Cap	L/L1xB/B1xH (mm)
19-024/255/CZ	2x55W	comp. fl. lamp	2G11	625/400x303/450x1800
19-024/355/CZ	3x55W	comp. fl. lamp	2G11	625/400x303/450x1800
Code	Power	Lamp	Cap	LxBxH (mm)
19-034/455/CZ	4x55W	comp. fl. lamp	2G11	625x606x90
19-034/655/CZ	6x55W	comp. fl. lamp	2G11	625x606x90



Ceiling luminaires IP65



Material:

- body: a steel sheet finished by powder technology varnishing
- color: white RAL 9003
- cover: prismatic

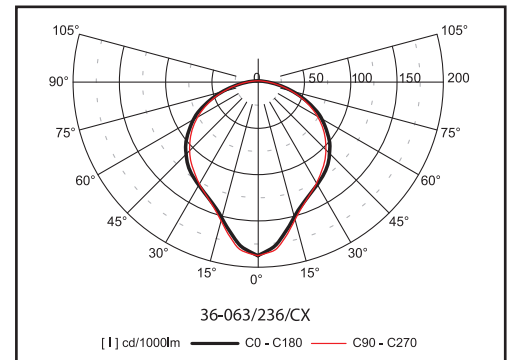
Degree of protection: IP 65

Rated voltage: 230V/50Hz

Control gear: low loss ballast or electronic ballast, dimmable ballast by request; the luminaires are offered also in emergency version

Mounting: built-up on a ceiling

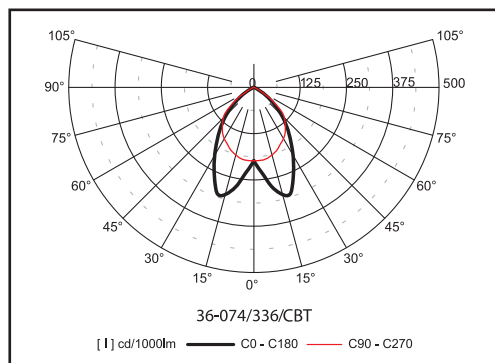
Application: hospitals, laboratories, premises with high humidity and dustiness, premises demanding high hygienic standards



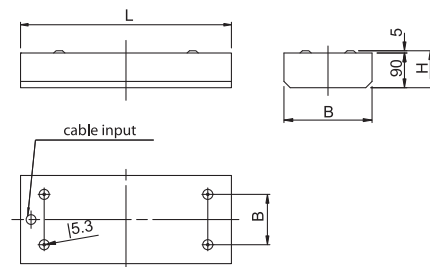
Code	Power	Lamp	Cap	LxBxH (mm)	Kg
36-063/236/ <u>E</u> X	2x36W	T8 lamp	G13	1292x381x95	9,1
36-063/258/ <u>E</u> X	2x58W	T8 lamp	G13	1592x381x95	10,8
36-063/228/CX	2x28W	T5 lamp	G5	1292x381x95	9,1
36-063/235/CX	2x35W	T5 lamp	G5	1592x381x95	10,8
36-063/414/CX	4x14W	T5 lamp	G5	682x677x95	8,0
36-064/236/ <u>E</u> X	2x36W	compact fl. lamp	2G11	482x414x95	5,0
36-064/255/CX	2x55W	compact fl. lamp	2G11	604x414x95	5,4
36-064/336/ <u>E</u> X	3x36W	compact fl. lamp	2G11	482x565x95	5,4
36-064/355/CX	3x55W	compact fl. lamp	2G11	604x565x95	5,8

E - E (low loss ballast) - C (electronic ballast)

arietis | 36-07



Ceiling luminaires IP65



Material:

- body: a steel sheet finished by powder technology varnishing
- color: white RAL 9003
- louvre: highly polished parabolic louvre
- cover: safety hardened glass

Degree of protection: IP 65

Rated voltage: 230V/50Hz

Control gear: low loss ballast or electronic ballast, dimmable ballast by request; the luminaires are offered also in emergency version

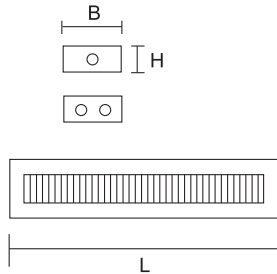
Mounting: built-up on a ceiling

Application: hospitals, laboratories, premises with high humidity and dustiness, premises demanding high hygienic standards

Code	Power	Lamp	Cap	LxBxH (mm)	Kg
36-073/236/BT	2x36W	T8 lamp	G13	1292x381x95	12,0
36-073/258/BT	2x58W	T8 lamp	G13	1592x381x95	14,3
36-073/228/CBT	2x28W	T5 lamp	G5	1292x381x95	12,0
36-073/235/CBT	2x35W	T5 lamp	G5	1592x381x95	14,3
36-073/414/CBT	4x14W	T5 lamp	G5	682x677x95	9,0
36-074/236/BT	2x36W	compact fl. lamp	2G11	482x414x95	6,2
36-074/255/CBT	2x55W	compact fl. lamp	2G11	604x414x95	6,6
36-074/336/BT	3x36W	compact fl. lamp	2G11	482x565x95	6,9
36-074/355/CBT	3x55W	compact fl. lamp	2G11	604x565x95	7,3

- E (low loss ballast) - C (electronic ballast)

Ceiling and suspended luminaires - direct/indirect



Material:

- body: anodized aluminium profile
- louvre: highly polished or matted parabolic louvre made of aluminium sheet

Degree of protection: IP 20

Rated voltage: 230V/50Hz

Control gear: electronic ballast, the luminaires are offered also in emergency version

Mounting: built up on a ceiling or suspended on wire pendants

Accessories: (must be ordered separately)

99-972 – wire pendant with power supply cable 1200mm (set for one luminaire)

99-973 – ceiling bracket-indirect 1200mm (for 1x28/54W lamps)
(must be ordered for ceiling mounting)




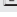

99-974 – ceiling bracket-indirect 1500mm (for 1x35/49/80W lamps)
(must be ordered for ceiling mounting)

99-975 – ceiling bracket-indirect 1200mm (for 2x28/54W lamps)
(must be ordered for ceiling mounting)

99-976 – ceiling bracket-indirect 1500mm (for 2x35/49/80W lamps)
(must be ordered for ceiling mounting)

Application: offices, corridors and stairways, shops, lecture halls

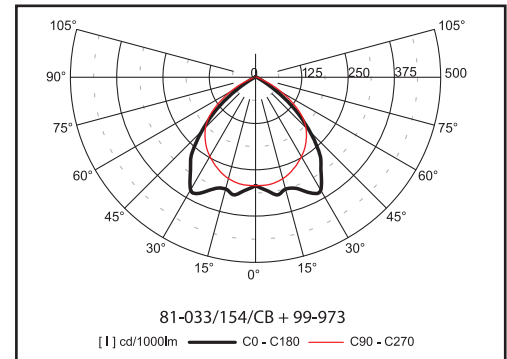
In case of suspended mounting and direct luminous flux you have to use ceiling bracket-indirect (99-973, 99-974, 99-975 or 99-976).

Code	Power	Louvre	Lamp	Cap	LxBxH (mm)	Kg
81-033/154/C 	1x28/54W	B, C	T5 lamp	G5	1252x157x50	4,0
81-033/180/C 	1x35/49/80W	B, C	T5 lamp	G5	1552x157x50	4,9
81-033/254/C 	2x28/54W	B, C	T5 lamp	G5	1252x212x50	4,3
81-033/249/C 	2x35/49W	B, C	T5 lamp	G5	1552x212x50	5,2
81-033/280/C 	2x80W	B, C	T5 lamp	G5	1552x212x50	5,2

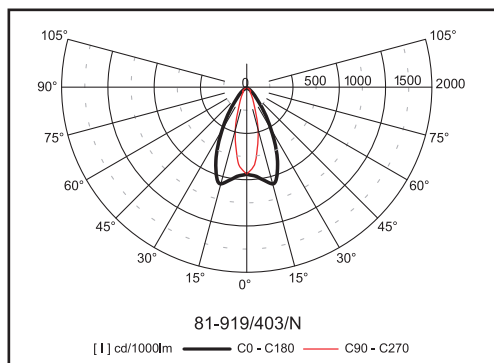
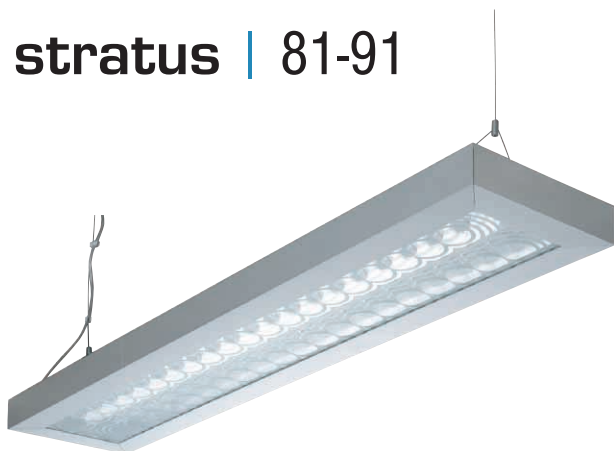
 - B (highly polished parab. louvre, 60°)
- C (matted parabolic louvre, 60°)

Electronic ballast are in multiwatt version.

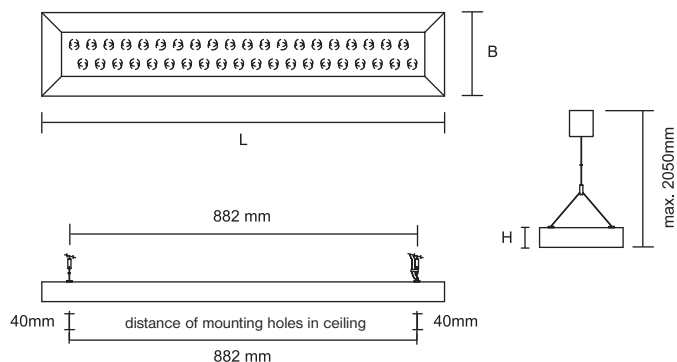
Multiwatt versions - QT1 1x28/54, QT1 1x35/49/80, QT1 2x28/54, QT1 2x35/49



stratus | 81-91



Suspended luminaires with LEDs – direct



Material:

- body: anodized aluminium profile

Degree of protection: IP 20

Rated voltage: 230V/50Hz

Control gear: transformer

Mounting: suspended on wire pendants

Accessories: (must be ordered separately)

99-972 – wire pendant with power supply cable 1200mm (set for one luminaire)

Application: offices, shops, finance houses, lecture halls



Code	Power	Lamp	Color temperature	Lumen per watt	LxBxH (mm)	Kg
81-919/403/N	40x1,5W	LED	6000K	100 lm/W	1022x212x50	6,1

Ceiling and suspended luminaires – direct

**Material:**

- body: anodized aluminium profile
- diffuser: opaline or semi-mat cover

Degree of protection: IP 44

Rated voltage: 230V/50Hz

Control gear: electronic ballast

Mounting: separate mounting on ceiling or suspended on wire/tube pendants

Accessories: (must be ordered separately)

99-850 – wire pendant includes holder of luminaire, steel cable 200 cm and ceiling bracket for adjustment of wire pendant (two pieces for luminaire needed)

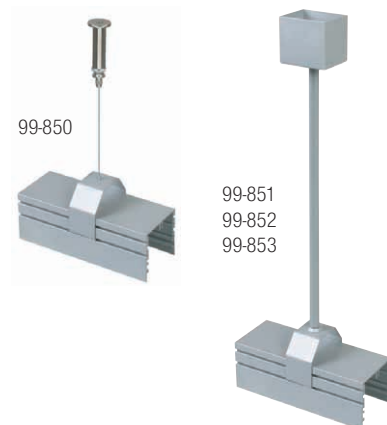
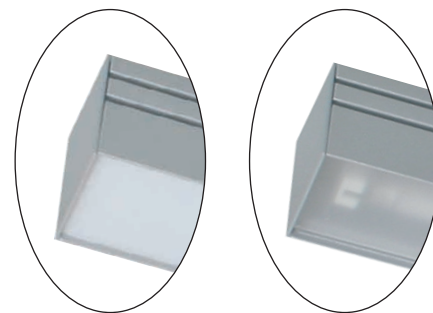
99-851 – tube set (30 cm) includes holder of luminaire, aluminium tube and ceiling bracket (two sets for 1 luminaire needed)

99-852 – tube set (60 cm) includes holder of luminaire, aluminium tube and ceiling bracket (two sets for 1 luminaire needed)

99-853 – tube set (90 cm) includes holder of luminaire, aluminium tube and ceiling bracket (two sets for 1 luminaire needed)

Application: restaurants, shops, hotels, finance houses, corridors and stairways

Feed cable 1500mm is fitted in luminaire profile as standard.

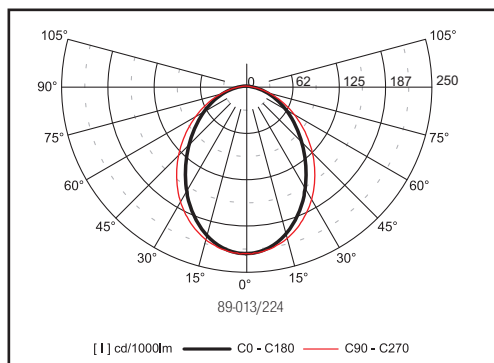
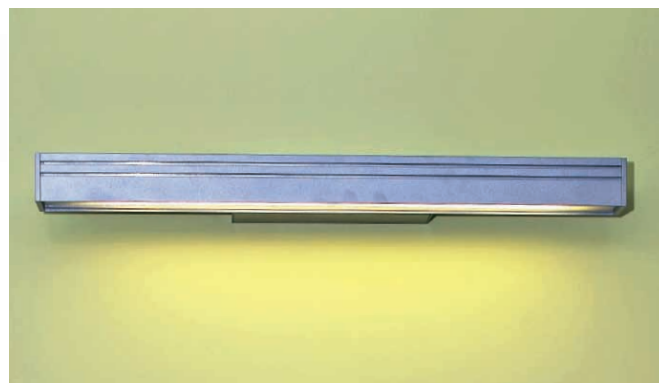


Code	Power	Lamp	Cap	LxBxH (mm)	Kg
89-003/114/C ^Z	1x14W	T5 lamp	G5	590x60x56	1,2
89-003/124/C ^Z	1x24W	T5 lamp	G5	590x60x56	1,2
89-003/139/C ^Z	1x39W	T5 lamp	G5	890x60x56	1,5
89-003/128/C ^Z	1x28W	T5 lamp	G5	1190x60x56	1,8
89-003/154/C ^Z	1x54W	T5 lamp	G5	1190x60x56	1,8
89-003/135/C ^Z	1x35W	T5 lamp	G5	1490x60x56	2,2
89-003/149/C ^Z	1x49W	T5 lamp	G5	1490x60x56	2,2
89-003/180/C ^Z	1x80W	T5 lamp	G5	1490x60x56	2,2

^Z - Z (opaline cover)
 - X (acrylate semi-mat diffuser)

sagita | 89-01

Wall luminaires – direkt



Material:

- body: anodized aluminium profile
- diffuser: opaline or semi-mat cover

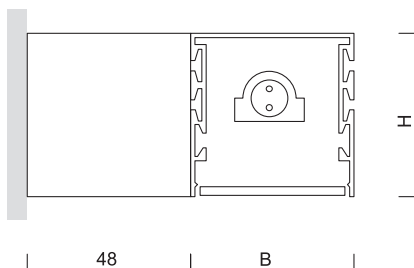
Degree of protection: IP 44

Rated voltage: 230V/50Hz

Control gear: electronic ballast

Mounting: on a wall

Application: restaurants, shops, hotels, finance houses, corridors and stairways

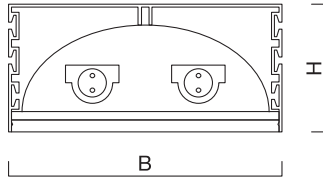


Code	Power	Lamp	Cap	LxBxH (mm)	Kg
89-013/114/C ^[2]	1x14W	T5 lamp	G5	590x48x48	1,3
89-013/124/C ^[2]	1x24W	T5 lamp	G5	590x48x48	1,3
89-013/121/C ^[2]	1x21W	T5 lamp	G5	890x48x48	1,5
89-013/139/C ^[2]	1x39W	T5 lamp	G5	890x48x48	1,5

[2] - Z (opaline diffuser)

- X (acrylate semi-mat diffuser)

Ceiling and suspended luminaires



Material:

- body: is made of aluminium profile
- color: gray
- louvre: opaline

Degree of protection: IP 44

Rated voltage: 230V/50Hz

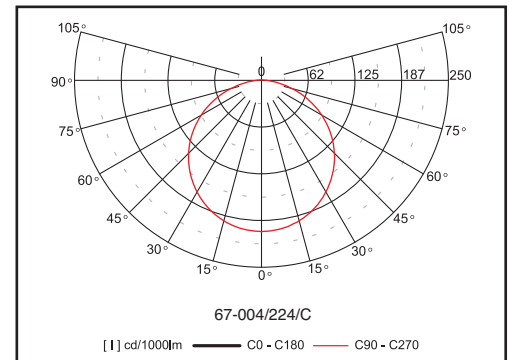
Control gear: electronic ballast

Mounting: on a ceiling or suspended on wire pendants

Accessories: (must be ordered separately)

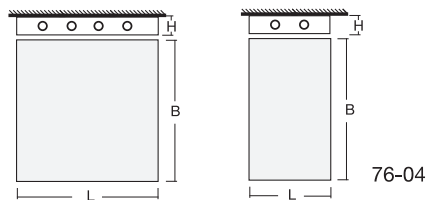
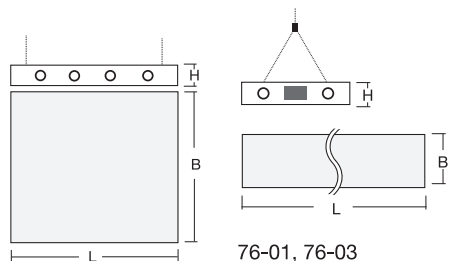
99-850 – wire pendant includes holder of luminaire, steel cable 200 cm and ceiling bracket for adjustment of wire pendant (two pieces for luminaire needed)

Application: reception desks, shops, vestibules, restaurants



Code	Power	Lamp	Cap	LxBxH (mm)	Kg
67-004/214/C	2x14W	T5 lamp	G5	590x120x56	1,0
67-004/224/C	2x24W	T5 lamp	G5	590x120x56	1,0
67-004/221/C	2x21W	T5 lamp	G5	890x120x56	1,7
67-004/239/C	2x39W	T5 lamp	G5	890x120x56	1,7
67-004/228/C	2x28W	T5 lamp	G5	1190x120x56	2,2
67-004/254/C	2x54W	T5 lamp	G5	1190x120x56	2,2
67-004/235/C	2x35W	T5 lamp	G5	1490x120x56	2,7
67-004/249/C	2x49W	T5 lamp	G5	1490x120x56	2,7
67-004/280/C	2x80W	T5 lamp	G5	1490x120x56	2,7

paleo | 76-01, 76-03, 76-04



Ceiling and suspended luminaires

76-01 – suspended luminaires, direct

76-03 – suspended luminaires, direct/indirect

76-04 – ceiling luminaires



Material:

- body: anodized aluminium profile
- color: gray
- diffuser: PMMA opaline

Degree of protection: IP 40

Rated voltage: 230V/50Hz

Control gear: electronic ballast, dimmable ballast on request

Mounting: suspended on wire pendants (series 76-01 and 76-03);
directly on ceiling (series 76-04)

Accessories: luminaire 76-01 and 76-03 are supplied with 4 wire pendants 2000 mm,
supply cable and ceiling cup cover

must be ordered separately: 99-920 – set of 4 wire pendants 2000 mm, supply cable and
ceiling cup cover (only for 76-043/414/CZ and 76-043/424/CZ)

Application: representative offices, classrooms and libraries, lecture halls,
finance houses, shops

Code	Power	Lamp	Cap	LxBxH (mm)	Kg
76-013/228/CZ	2x28W	T5 lamp	G5	1200x180x46	4,5
76-013/235/CZ	2x35W	T5 lamp	G5	1500x180x46	5,6
76-013/254/CZ	2x54W	T5 lamp	G5	1200x180x46	4,5
76-033/228/CZ	2x28W	T5 lamp	G5	1200x180x46	4,3
76-033/235/CZ	2x35W	T5 lamp	G5	1500x180x46	5,4
76-033/254/CZ	2x54W	T5 lamp	G5	1200x180x46	4,3
76-043/214/CZ	2x14W	T5 lamp	G5	600x180x55	4,3
76-043/228/CZ	2x28W	T5 lamp	G5	1200x180x55	4,5
76-043/235/CZ	2x35W	T5 lamp	G5	1500x180x55	5,6
76-043/254/CZ	2x54W	T5 lamp	G5	1200x180x55	4,5
76-043/414/CZ	4x14W	T5 lamp	G5	600x600x55	6,2
76-043/424/CZ	4x24W	T5 lamp	G5	600x600x55	6,2

Luminaires with 21W or 49W T5 lamps by request.

Wall luminaires 76-05 direct, 76-06 direct/indirect



Material:

- body: anodized aluminium profile
- color: gray
- diffuser: PMMA opaline

Degree of protection: IP 40

Rated voltage: 230V/50Hz

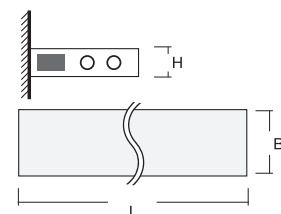
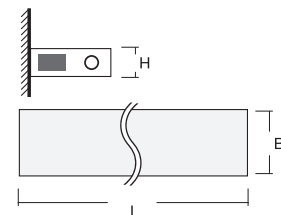
Control gear: electronic ballast, dimmable ballast on request

Mounting: on wall

Application: representative offices, meeting areas, cultural facilities, shops



Code	Power	Lamp	Cap	LxBxH (mm)	Kg
76-053/114/CZ	1x14W	T5 lamp	G5	600x80x46	2,1
76-053/128/CZ	1x28W	T5 lamp	G5	1200x80x46	4,1
76-053/135/CZ	1x35W	T5 lamp	G5	1500x80x46	5,1
76-053/154/CZ	1x54W	T5 lamp	G5	1200x80x46	4,1
76-053/214/CZ	2x14W	T5 lamp	G5	600x120x46	2,5
76-053/228/CZ	2x28W	T5 lamp	G5	1200x120x46	4,9
76-053/235/CZ	2x35W	T5 lamp	G5	1500x120x46	5,5
76-053/254/CZ	2x54W	T5 lamp	G5	1200x120x46	4,9
76-063/114/CZ	1x14W	T5 lamp	G5	600x80x46	2,0
76-063/128/CZ	1x28W	T5 lamp	G5	1200x80x46	3,9
76-063/135/CZ	1x35W	T5 lamp	G5	1500x80x46	4,8
76-063/154/CZ	1x54W	T5 lamp	G5	1200x80x46	3,9
76-063/214/CZ	2x14W	T5 lamp	G5	600x120x46	2,4
76-063/228/CZ	2x28W	T5 lamp	G5	1200x120x46	4,7
76-063/235/CZ	2x35W	T5 lamp	G5	1500x120x46	5,2
76-063/254/CZ	2x54W	T5 lamp	G5	1200x120x46	4,7



BS 1000 | salvaspazio

Ceiling and suspended luminaires - T8 lamps - direct - fit to lighting systems



Material:

- body: polyester powder coated steel sheet
- color: white RAL 9003
- louvre: antiglare
- reflector: polyester powder coated steel sheet

Degree of protection: IP 20/40

Rated voltage: 230V/50Hz

Control gear: electronic ballast with the highest energy savings with hot cathode ascension. The luminaires are offered also in emergency version excl. version 1x.

Mounting: on a ceiling, suspended mounting with pendants or fit to lighting systems

Accessories:

Provided with: sliding suspension brackets and anti-fall cathode covers

To be ordered separately (necessary for installation):

14742 - closing end caps (white color)

14750 - feeding connector with a 5P (max. 2,5mm²)*

*each system with BS1000 needs at least a head feeder or a connector for each single electric feeding line

To be ordered separately:

14723 - dark light-type louvre (DKL1) for 36W*

14724 - dark light-type louvre (DKL1) for 58W*

14725 - protection cover PMMA for 36W*

14726 - protection cover PMMA for 58W*

14740 - wall bracket white IP40 for 36W*

14741 - wall bracket white IP40 for 58W*

14751 - universal box for joining (linear, 90°, "T", cross joining)

14770 - fast linear connection bracket

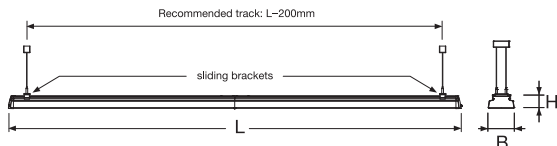
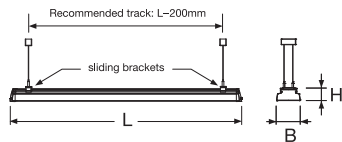
14771 - single lamp / dual lamp suspension

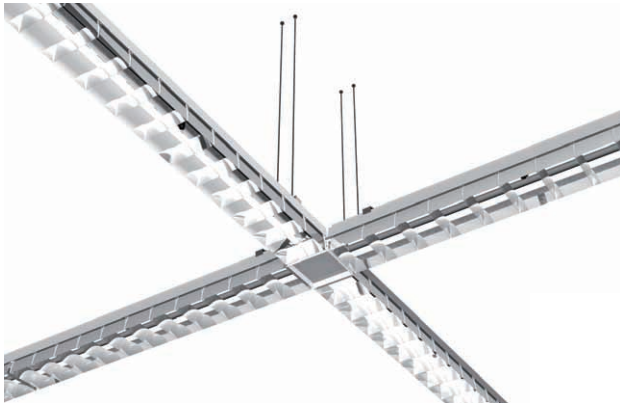
14772 - cable raceway for 36W*

14773 - cable raceway for 58W*

*for versions 1+1 and 2+2 it is necessary to order 2pcs

Application: production lines, exhibition halls, supermarkets

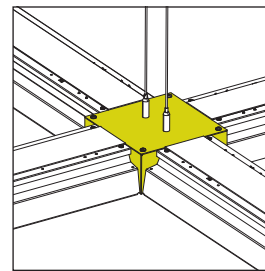
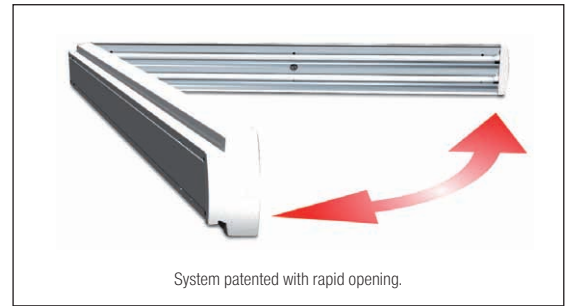




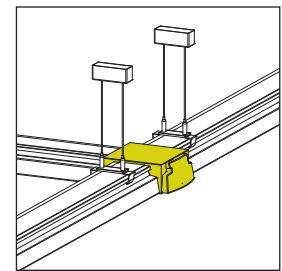
Luminaire with integrated cables in continuous line for a rapid connection with a 3P+N+T 2,5 mm² channelling and with the possibility of a separate cable channel to facilitate any support service. Folding structure to reduce the cluttered length with a rapid mechanism and a safety lock. Lamp holders provided with supporting rings for anti-fall. Double ascension possible in every direction with a system integrating a rapid opening (1+1, 2+2).

Examples of a joining with a dark light louvre installed:

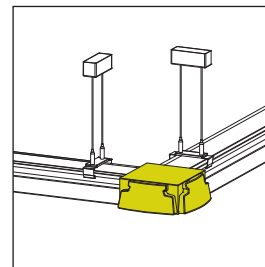
- Universal box for cross joining (4 luminaires)
- Universal box for "T" joining (3 luminaires)
- Universal box for 90° joining (2 luminaires)



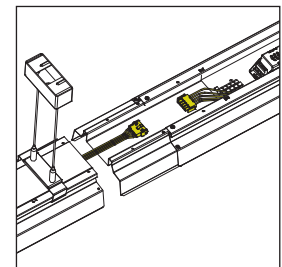
Universal box for cross joining



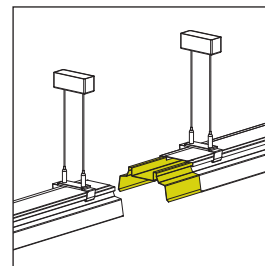
Universal box for "T" joining



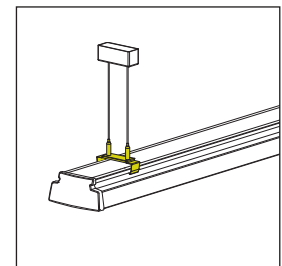
Universal box for 90° joining



Fast electric connection system



Fast linear connection bracket



Suspended system with a variable tracks for installation by means of sliding brackets. Recommended track: L=200mm

Code	Power	Lamp	Cap	L/B/H/L1/H1(mm)	Kg
14700	1+ 1x36W	T8 lamp	G13	2500/190/88/1260/177	8,0
14702	1+ 1x58W	T8 lamp	G13	3097/190/88/1560/177	10,5
14701	2+ 2x36W	T8 lamp	G13	2500/190/88/1260/177	8,5
14703	2+ 2x58W	T8 lamp	G13	3097/190/88/1560/177	11,0
14708	1x36W	T8 lamp	G13	1270/190/88	3,8
14710	1x58W	T8 lamp	G13	1575/190/88	4,8
14709	2x36W	T8 lamp	G13	1270/190/88	4,0
14711	2x58W	T8 lamp	G13	1575/190/88	5,0

topaz | 54-00, 54-01

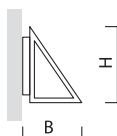
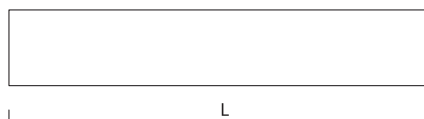
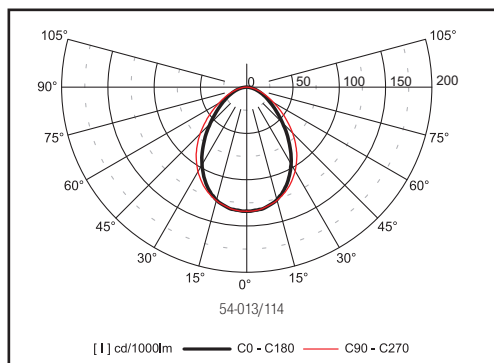


54-00

Wall luminaires – direkt



54-01



Material:

- body: made of steel sheet and anodized aluminium
- colour: white (other RAL colours on request)

Degree of protection: IP 44

Rated voltage: 230V/50Hz

Control gear: electronic ballast

Mounting: on a wall

Application: restaurants, shops, hotels, finance houses, corridors and stairways

Code	Power	Lamp	Cap	LxBxH (mm)	Kg
54-004/126/C	1x26W	compact fl. lamp	G24q-3	280x150x180	2,5
54-004/155/C	1x55W	compact fl. lamp	2G11	580x150x180	3,8
54-004/236/C	2x36W	compact fl. lamp	2G11	880x150x180	5,1
54-013/114/C	1x14W	lamp T5	G5	605x77x90	1,4
54-013/121/C	1x21W	lamp T5	G5	605x77x90	1,4
54-013/214/C	1x24W	lamp T5	G5	605x77x90	1,4

